



24VDC Bipolar Digital In
10-30VDC, 0.5A Sourcing Digital Out 4-
20mA Isolated Analog In/Out
HE800MIX912 / HE-MIX912*

* HE- denotes plastic case.



This datasheet also covers products starting with IC300.

1 SPECIFICATIONS

ANALOG INPUT		MIX912			MIX912
Number of Channels		4	Analog Inputs Input Points Required		4
Input Ranges		Nominal: 4-20mA	Conversion Time (PLC Update Rate)		All channels updated once per PLC scan.
Resolution		12-Bits	Analog Isolation Channel to Channel and Channel to Ground		1000VDC
Input Burden		50 Ohms + 3VDC, Clamped @ 6VDC, 35mA Max. Continuous	Additional error for temperatures other than 25°C		0.01% / °C
Maximum Error at 25°C		0.5%	Maximum Over-Current		35mA
DIGITAL INPUT		MIX912			MIX912
Inputs per Module		8	Input Characteristics		Bidirectional
Commons per Module		1	Input Impedance		10K Ohms
Input Voltage Range		12-24VDC	Minimum ON Current		1mA
Peak Voltage		35VDC Max.	Maximum OFF Current		200µA
Channel to channel and Channel to Ground		500VDC	OFF to ON Response		1ms.
ON Voltage Level		9VDC Minimum	ON to OFF Response		1ms.
OFF Voltage Level		3VDC Maximum			
ANALOG OUTPUT		MIX912			MIX912
Number of Channels		2	Analog Outputs; Output Points Required		2
Output Range		Nominal: 4-20mA Clamped @ -0.5 - +30VDC	Conversion Time (PLC Update Rate)		All channels updated once per PLC scan.
Resolution		12 Bits	Isolation Channel to Channel and Channel to Ground		1000VDC
Maximum Error at 25°C		0.3%	Additional error for temperatures other than 25°C		0.01% / °C
			Output Voltage		4 - 30VDC
DIGITAL OUTPUT		MIX912			MIX912
Outputs per Module		8	Maximum Inrush Current		650mA per channel
Commons per Module		1	Minimum Load		None
Operating Voltage		10 - 30VDC	OFF to ON Response		1ms.

This Data Sheet is published individually & also as a part of the SmartStack Supplement (SUP0246-05).

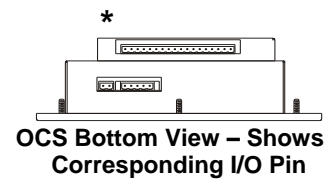
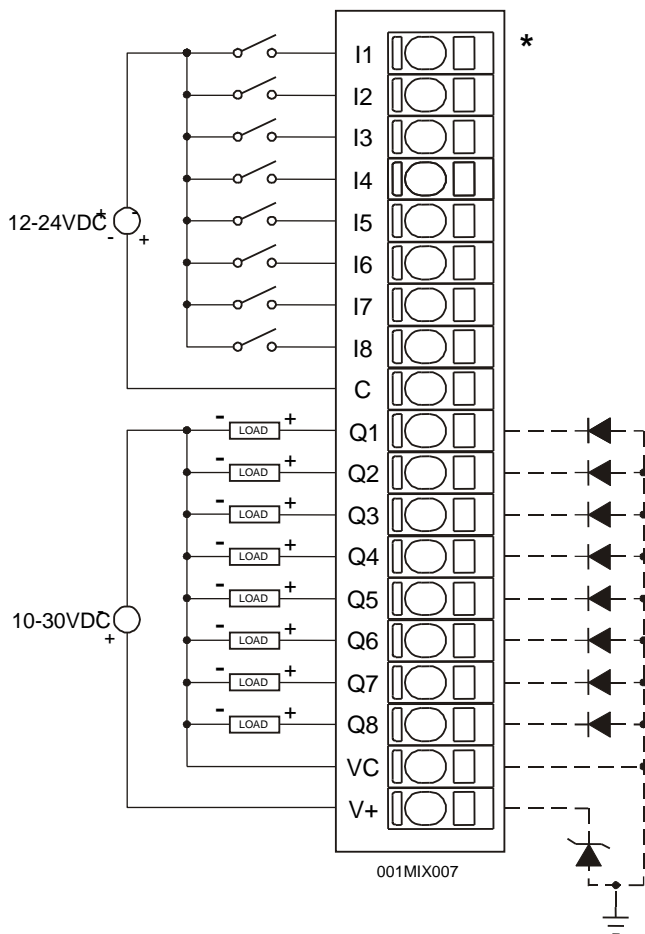
Information is subject to change without notice.

SmartStack is a trademark of Horner APG, LLC.

Output Type	Sourcing / 10K Pull-Down	ON to OFF Response	1ms.
Peak Voltage	30VDC Max.	Output Characteristics	Current Sourcing
Maximum Load Current per Output	0.5A Max.	Output Protection	Short Circuit
Maximum Total Output	4A		
General Specifications			
	MIX912		MIX912
Required Power (Steady State)	0.48W (20mA @ 24VDC)	Operating Temperature	0° to 60° Celsius
Required Power (Inrush)	Negligible	Terminal Type	Spring Clamp, Removable
Relative Humidity	5 to 95% Non-condensing	Weight	9.5 oz. (270 g)
CE	See Compliance Table at http://www.heapg.com/Support/compliance.htm		
UL			

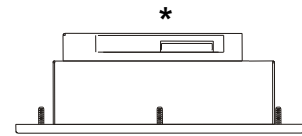
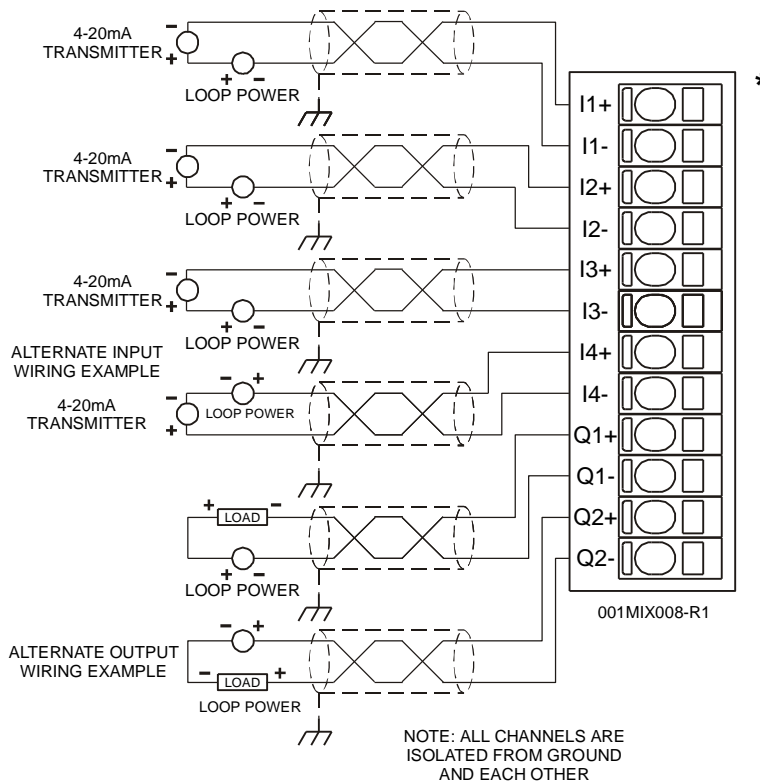
2 WIRING

2.1 Digital Input / Output (P1)



Pin	Digital Input / Output
	MIX912 - P1
I1	Input 1
I2	Input 2
I3	Input 3
I4	Input 4
I5	Input 5
I6	Input 6
I7	Input 7
I8	Input 8
C1	Common (Isolated)
Q1	Output 1
Q2	Output 2
Q3	Output 3
Q4	Output 4
Q5	Output 5
Q6	Output 6
Q7	Output 7
Q8	Output 8
VC	Load Power Common
V+	Load Voltage +

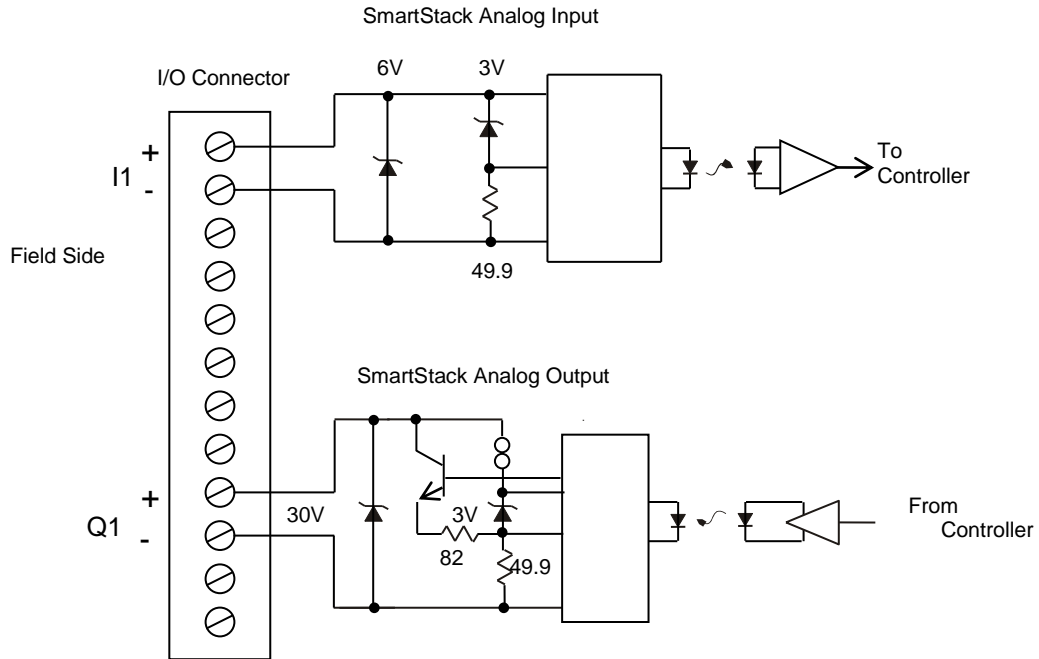
2.2 Analog Input / Output (P2)



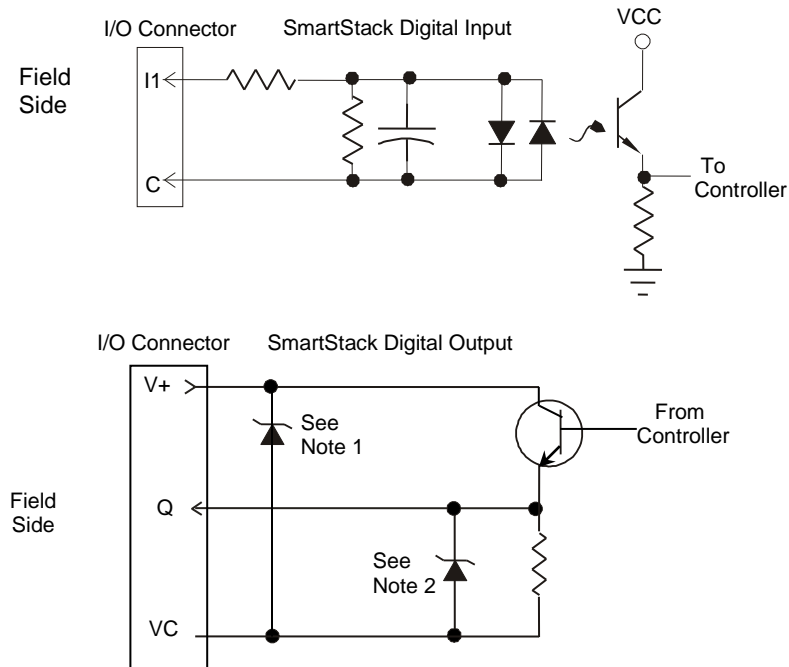
OCS Top View – Shows Corresponding I/O Pin

Pin	Analog Input / Output Signal
	MIX912
I1+	Input 1+
I1-	Input 1-
I2+	Input 2+
I2-	Input 2-
I3+	Input 3+
I3-	Input 3-
I4+	Input 4+
I4-	Input 4-
Q1+	Output 1+
Q1-	Output 1-
Q2+	Output 2+
Q2-	Output 2-

3 INTERNAL CIRCUIT SCHEMATIC



Specification for transient voltage suppressors (transorbs) used on output circuitry is 30V, 300W.



Note 1: Specification for transient voltage suppressors (transorbs) used on output circuitry is 33V, 1500W.

Note 2: Specification for transient voltage suppressors (transorbs) used on output circuitry is 33V, 300W.

4 CONFIGURATION

Note: The status of the I/O can be monitored in Cscape Software.

Preliminary configuration procedures that apply to SmartStack™ Modules are contained in the hardware manual of the controller you are using. Refer to the **Additional References** section in this data sheet for a listing of hardware manuals.

Module Setup Tab

The **Module Setup** is used in applications where it is necessary to change the default states or values of the outputs when the controller (e.g., OCS100) enters idle/stop mode.

1. For Digital Outputs: The default turns the outputs OFF when the controller enters idle/stop mode. By selecting the Module Setup tab, each output can be set to either turn ON, turn OFF or to hold the last state. Generally, most applications use the default settings.

Warning: The default turns the digital outputs OFF when the controller enters idle/stop mode. To avoid injury of personnel or damages to equipment, exercise extreme caution when changing the default settings.

2. For Analog Outputs: The default sets the output values to zero when the controller enters idle/stop mode. By selecting the Module Setup tab, each output can be set to a specific value or hold the last value. Generally, most applications use the default settings.

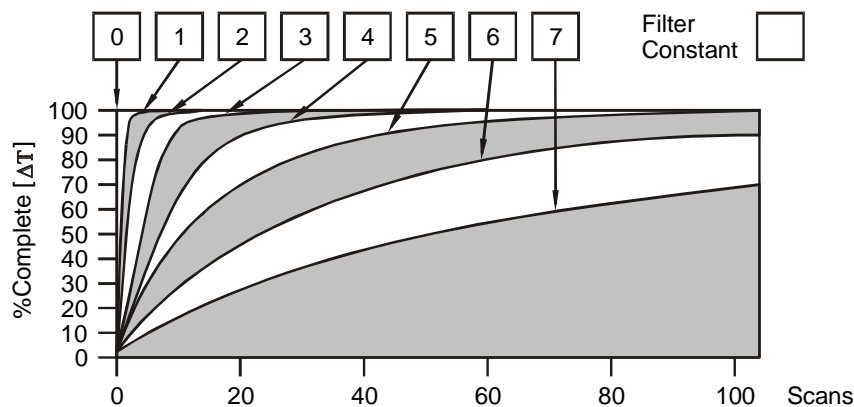
Warning: The default sets the output values to zero when the controller enters idle/stop mode. To avoid injury of personnel or damages to equipment, exercise extreme caution when changing the default setting using the **Module Setup** tab.

3. For Analog Inputs:

Filter Constant sets the level of digital filtering according to the following chart.

I/O Map Tab

The I/O Map describes which I/O registers are assigned to a specific SmartStack™ Module and where the module is located in the point map. The I/O Map is determined by the model number and location within the SmartStack™. The I/O Map is not edited by the user.



Digital Filtering. The illustration above demonstrates the effect of digital filtering (set with Filter Constant) on module response to an input change.

5 ANALOG INPUT / OUTPUT CHARACTERISTICS

5.1 Input Conversion Factor

The following table describes how real-world inputs are scaled into the controller. Given a known input current, the data value is configured by using the conversion factor from the table. The following formula is used: **Data = Input Current (mA) / Conversion Factor**

Example:

- 1) The known input current is 14mA.
- 2) Using the table, the conversion factor for the current range of 4 to +20mA is 0.000625.
- 3) To determine the data value, the formula is used:

$$\text{Data} = \text{Input Current (mA)} / \text{Conversion Factor}$$

$$22400 = 14\text{mA} / 0.000625$$

Conversion of Real-World Inputs into Controller			
Selected Current Range	Input Current (mA)	Data	Conversion Factor
4 – 20mA	20.00	32000	0.000625
	4.00	6400	

5.2 Output Conversion Factor

The following table describes how program data values are scaled to real-world analog voltage outputs by the module. Given a desired output current, the data value is converted by using the conversion factor from the table. The following formula is used: **Data = Output Current (mA) / Conversion Factor**

Example:

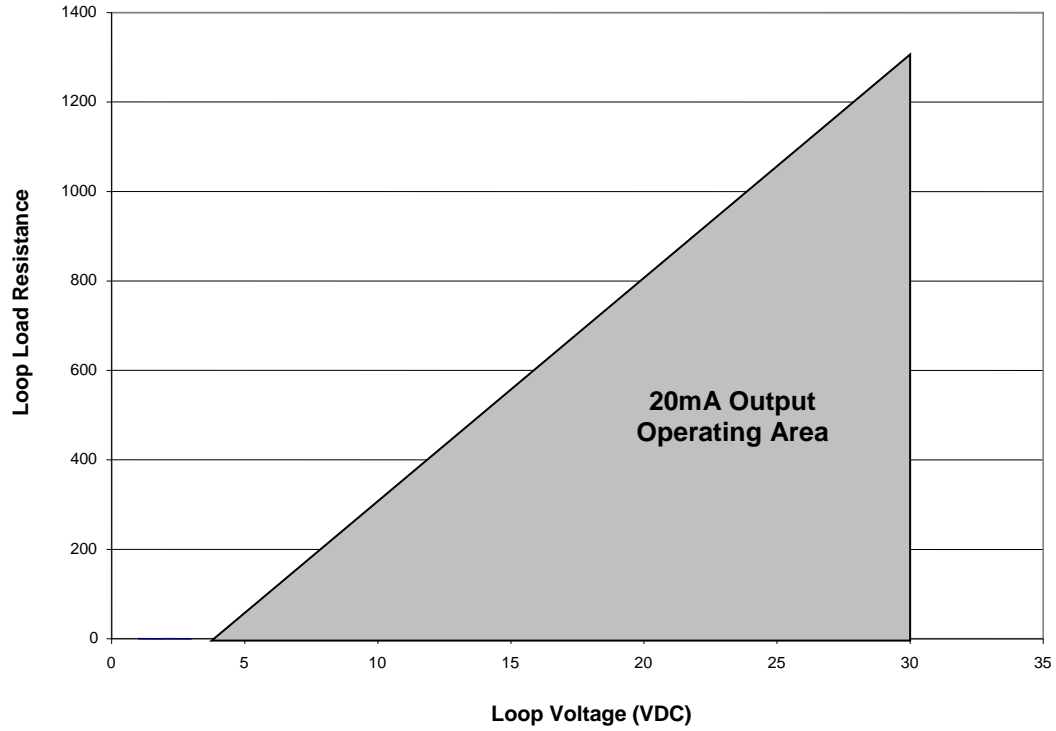
- 1) The desired output current is 12mA.
- 2) Using the table, the conversion factor for the current range of +20 mA is 0.000625.
- 3) To determine the data value, the formula is used:

$$\text{Data} = \text{Output Current (mA)} / \text{Conversion Factor}$$

$$19200 = 12\text{mA} / 0.000625$$

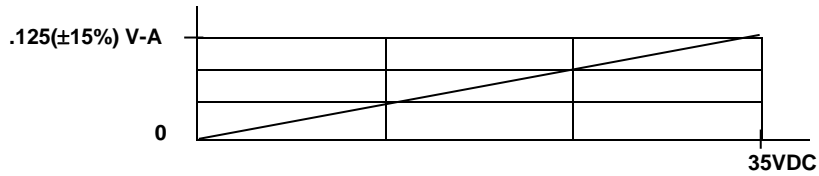
Conversion of Real-World Outputs into Controller			
Selected Current Range	Output Current (mA)	Data	Conversion Factor
4 to 20mA	20.00	32000	0.000625
	4.00	6400	

5.3 Output Operating Area



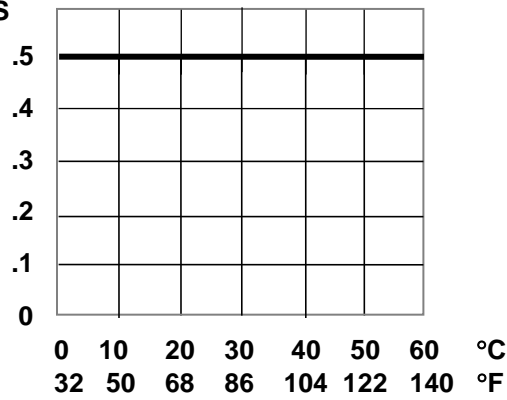
6 DIGITAL INPUT / OUTPUT CHARACTERISTICS

Digital Input Chart



Derating Chart

AMPS / CHANNELS



7 INSTALLATION / SAFETY

Warning: Remove power from the OCS controller, CAN port, and any peripheral equipment connected to this local system before adding or replacing this or any module.

- a) All applicable codes and standards should be followed in the installation of this product.
- b) Shielded, twisted-pair wiring should be used for best performance (Analog I/O).
- c) Shields may be terminated at the module terminal strip.
- d) In severe applications, shields should be tied directly to the ground block within the panel.
- e) Use the following wire type or equivalent: Belden 8917, 16 AWG or larger for digital I/O; Belden 8441 for Analog I/O.

For detailed installation and a [handy checklist](#) that covers panel box layout requirements and minimum clearances, refer to the hardware manual of the controller you are using. (See the **Additional References** section in this document.)

When found on the product, the following symbols specify:



Warning: Consult user documentation.



Warning: Electrical Shock Hazard.

WARNING: To avoid the risk of electric shock or burns, always connect the safety (or earth) ground before making any other connections.

WARNING: To reduce the risk of fire, electrical shock, or physical injury it is strongly recommended to fuse the voltage measurement inputs. Be sure to locate fuses as close to the source as possible.

WARNING: Replace fuse with the same type and rating to provide protection against risk of fire and shock hazards.

WARNING: In the event of repeated failure, do not replace the fuse again as a repeated failure indicates a defective condition that will not clear by replacing the fuse.

WARNING: Only qualified electrical personnel familiar with the construction and operation of this equipment and the hazards involved should install, adjust, operate, or service this equipment. Read and understand this manual and other applicable manuals in their entirety before proceeding. Failure to observe this precaution could result in severe bodily injury or loss of life.

For detailed installation and a handy checklist that covers panel box layout requirements and minimum clearances, refer to the hardware manual of the controller you are using. (See the **Additional References** section in this document.)

- All applicable codes and standards need to be followed in the installation of this product.
- For I/O wiring (discrete), use the following wire type or equivalent: Belden 9918, 18 AWG or larger.

Adhere to the following safety precautions whenever any type of connection is made to the module.

- Connect the green safety (earth) ground first before making any other connections.
- When connecting to electric circuits or pulse-initiating equipment, open their related breakers. Do not make connections to live power lines.
- Make connections to the module first; then connect to the circuit to be monitored.
- Route power wires in a safe manner in accordance with good practice and local codes.
- Wear proper personal protective equipment including safety glasses and insulated gloves when making connections to power circuits.
- Ensure hands, shoes, and floor are dry before making any connection to a power line.
- Make sure the unit is turned OFF before making connection to terminals. Make sure all circuits are de-energized before making connections.
- Before each use, inspect all cables for breaks or cracks in the insulation. Replace immediately if defective.

8 ADDITIONAL REFERENCES

The following information serves as a *general* listing of Horner controller products and other references of interest and their corresponding manual numbers. Visit our website listed in the **Technical Support** section to obtain user documentation and updates.

Note: This list is <u>not</u> intended for users to determine which products are appropriate for their application; controller products differ in the features that they support. If assistance is required, see the Technical Support section in this document.	
Controller	Manual Number
XLE Series (e.g., HE-XExxx)	MAN0805
QX Series (e.g., HE-QXxxx)	MAN0798
NX Series (e.g., HE-NXxxx)	MAN0781
LX Series (e.g., LX-xxx; also covers RCS116)	MAN0755
Color Touch OCS (e.g., OCSxxx)	MAN0465
OCS (Operator Control Station) (e.g., OCS1xx / 2xx; Graphic OCS250)	MAN0227
Remote Control Station (e.g., RCS2x0)	
MiniOCS (e.g., HE500OCSxxx, HE500RCSxxx)	MAN0305
Other Useful References	
CAN Networks	MAN0799
Cscape Programming and Reference	MAN0313
Wiring Accessories and Spare Parts Manual	MAN0347
DeviceNet™ Implementation	SUP0326
Wiring Accessories and Spare Parts Manual	MAN0347

9 TECHNICAL SUPPORT

For assistance and manual up-dates, contact Technical Support at the following locations:

North America:
(317) 916-4274
www.heapg.com

Europe:
(+) 353-21-4321-266
www.horner-apg.com