

4

3

2

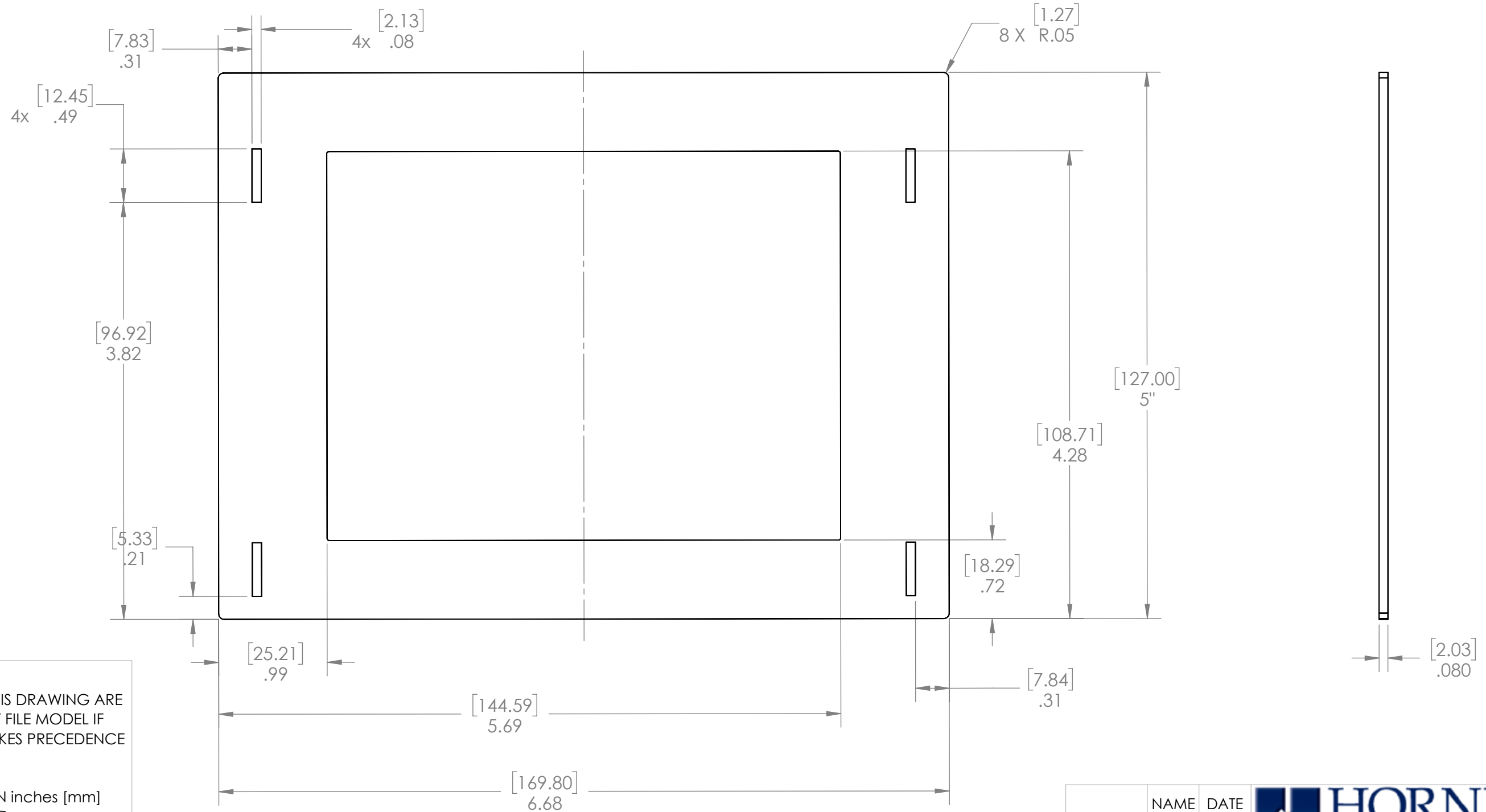
1

B

B

A

A



Notes:

1. THE DIMENSIONS OF THIS DRAWING ARE CONTROLLED BY THE PART FILE MODEL IF AVAILABLE. THE MODEL TAKES PRECEDENCE OVER THIS DRAWING.
2. ALL DIMENSIONS ARE IN inches [mm] UNLESS OTHERWISE NOTED.
3. TOLERANCES: STANDARD TOLERANCE UNLESS OTHERWISE SPECIFIED
4. MATERIAL: 14 Ga ALUM
5. FINISH: BRIGHT ZINK CHROMATE FINISH NO NOTICEABLE DEFECTS AT 3FT (90° ANGLE UNDER NATURAL LIGHTING)

PROPRIETARY AND CONFIDENTIAL
 THE INFORMATION CONTAINED IN THIS DRAWING IS THE SOLE PROPERTY OF HORNER APG. ANY REPRODUCTION IN PART OR AS A WHOLE WITHOUT THE WRITTEN PERMISSION OF HORNER APG IS PROHIBITED.

	NAME	DATE
DESIGNED	CDH	7/27/22
DRAWN	CDH	7/27/22
ENG APPR.	JTB	7/27/22

TITLE:
MICRO LINE BACK PANEL BRACKET

FILE NAME:
HE-BRKT-100

SIZE B	DWG. NO. HE-BRKT-100	REV 0.0
------------------	-------------------------	-------------------

SCALE: 1:1 SHEET 1 OF 3

4

3

2

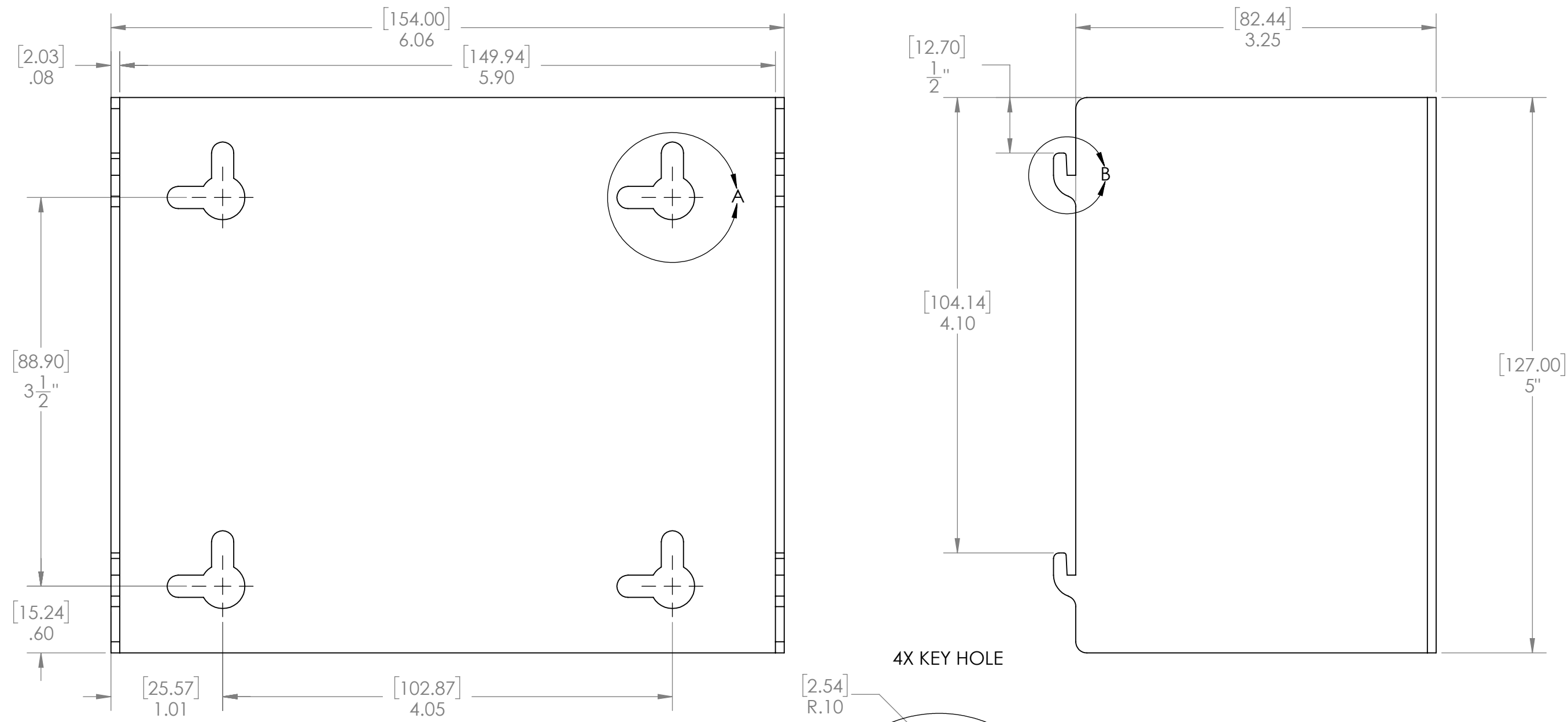
1

B

B

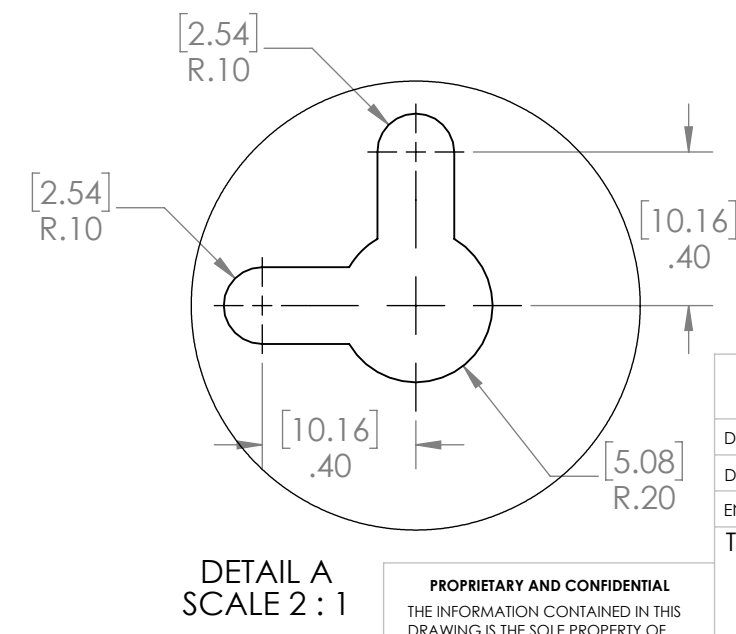
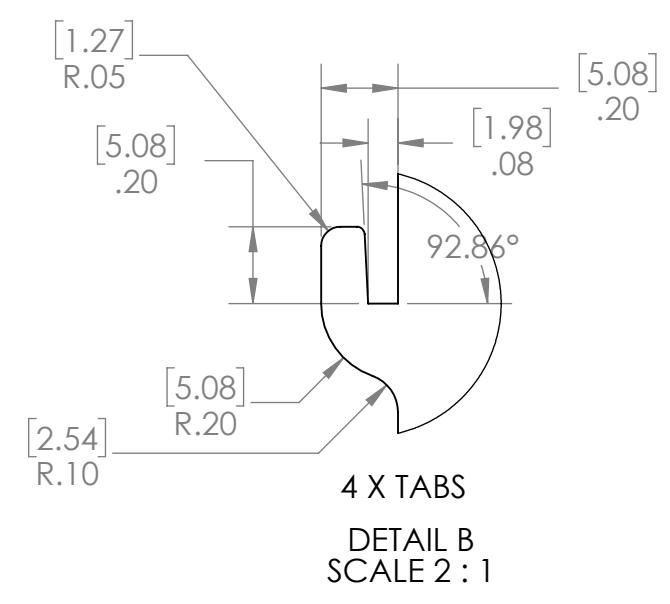
A

A



Notes:

1. THE DIMENSIONS OF THIS DRAWING ARE CONTROLLED BY THE PART FILE MODEL IF AVAILABLE. THE MODEL TAKES PRECEDENCE OVER THIS DRAWING.
2. ALL DIMENSIONS ARE IN inches [mm] UNLESS OTHERWISE NOTED.
3. TOLERANCES: STANDARD TOLERANCE UNLESS OTHERWISE SPECIFIED
4. MATERIAL: 14 Ga ALUM
5. FINISH: BRIGHT ZINK CHROMATE FINISH NO NOTICEABLE DEFECTS AT 3FT (90° ANGLE UNDER NATURAL LIGHTING)



PROPRIETARY AND CONFIDENTIAL
 THE INFORMATION CONTAINED IN THIS DRAWING IS THE SOLE PROPERTY OF HORNER APG. ANY REPRODUCTION IN PART OR AS A WHOLE WITHOUT THE WRITTEN PERMISSION OF HORNER APG IS PROHIBITED.

	NAME	DATE
DESIGNED	CDH	7/27/22
DRAWN	CDH	7/27/22
ENG APPR.	JTB	7/27/22

TITLE:
**MICRO LINE
 BACK PANEL
 BRACKET**

**HORNER
 AUTOMATION GROUP**

FILE NAME:
HE-BRKT-100

SIZE B	DWG. NO. HE-BRKT-100	REV 0.0
------------------	--------------------------------	-------------------

SCALE: 1:1 SHEET 2 OF 3

4

3

2

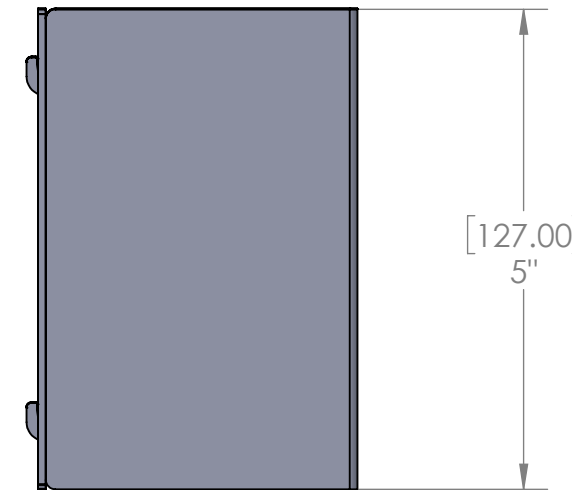
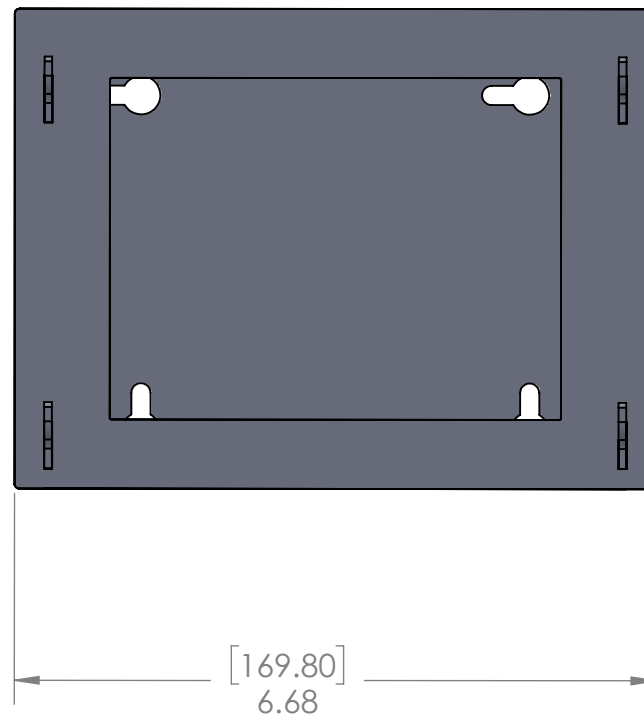
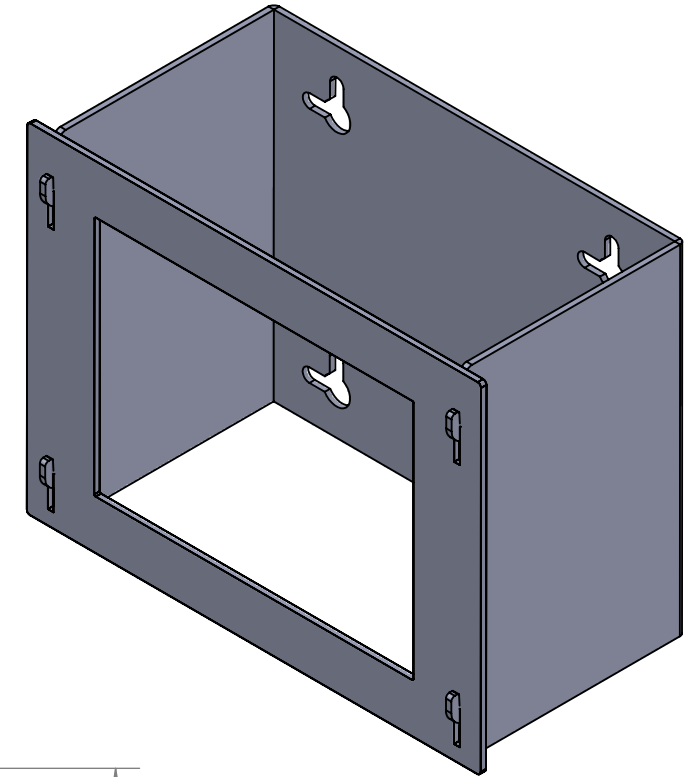
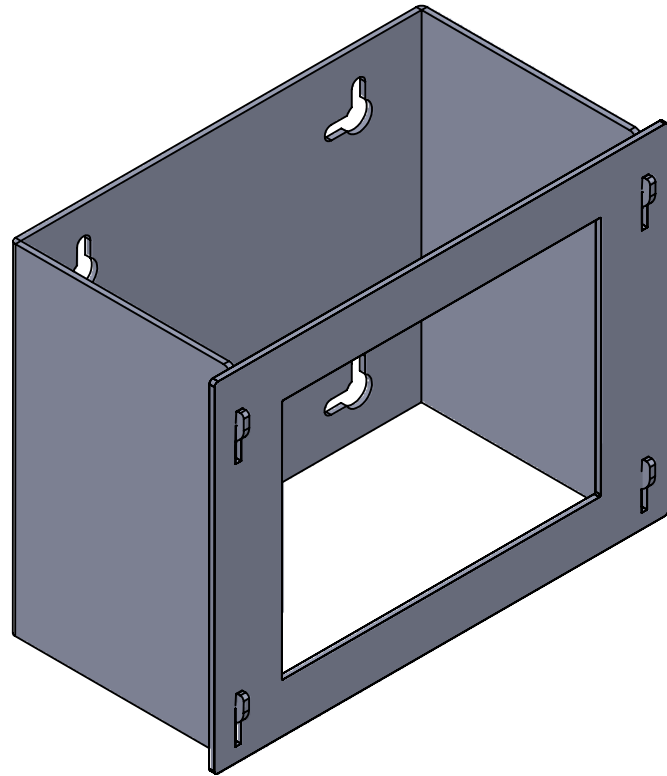
1

4

3

2

1




Notes:

1. THE DIMENSIONS OF THIS DRAWING ARE CONTROLLED BY THE PART FILE MODEL IF AVAILABLE. THE MODEL TAKES PRECEDENCE OVER THIS DRAWING.
2. ALL DIMENSIONS ARE IN inches [mm] UNLESS OTHERWISE NOTED.
- 3.TOLERANCES:STANDARD TOLERANCE UNLESS OTHERWISE SPECIFIED
- 4.MATERIAL:14 Ga ALUM
- 5.FINISH:BRIGHT ZINK CHROMATE FINISH NO NOTICEABLE DEFECTS AT 3FT (90° ANGLE UNDER NATURAL LIGHTING)

PROPRIETARY AND CONFIDENTIAL
 THE INFORMATION CONTAINED IN THIS DRAWING IS THE SOLE PROPERTY OF HORNER APG. ANY REPRODUCTION IN PART OR AS A WHOLE WITHOUT THE WRITTEN PERMISSION OF HORNER APG IS PROHIBITED.

	NAME	DATE
DESIGNED	CDH	7/27/22
DRAWN	CDH	7/27/22
ENG APPR.	JTB	7/27/22

TITLE:
**MICRO LINE
 BACK PANEL
 BRACKET**



FILE NAME:
HE-BRKT-100

SIZE B	DWG. NO. HE-BRKT-100	REV 0.0
------------------	--------------------------------	-------------------

SCALE: 1:2 SHEET 3 OF 3

4

3

2

1

B

B

A

A