



SmartStix Analog Input Module HE559ADC970

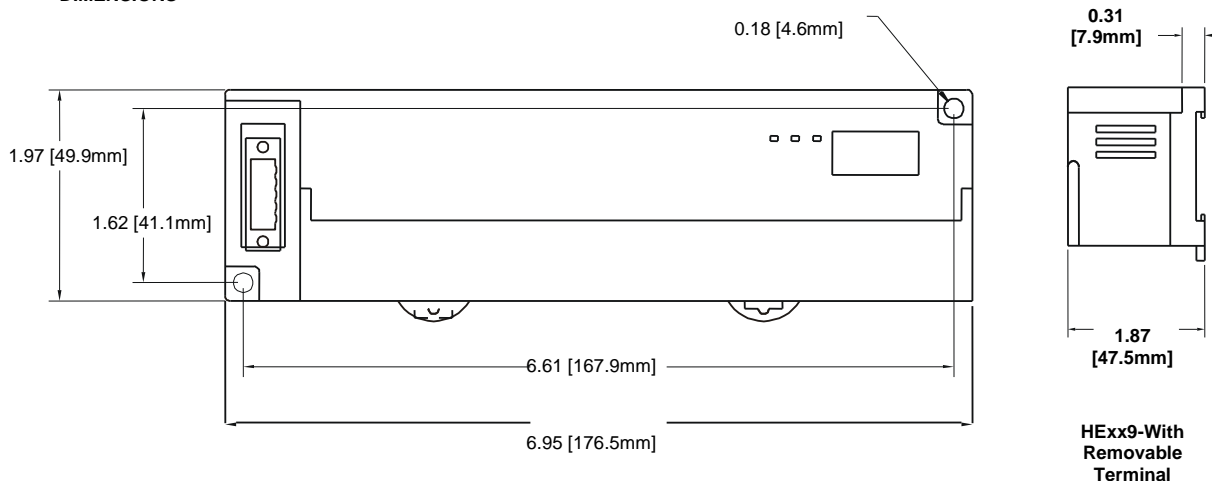
12 Input Channels $\pm 5V / \pm 10V / 4-20mA / \pm 20mA$
Cscan

1 SPECIFICATIONS

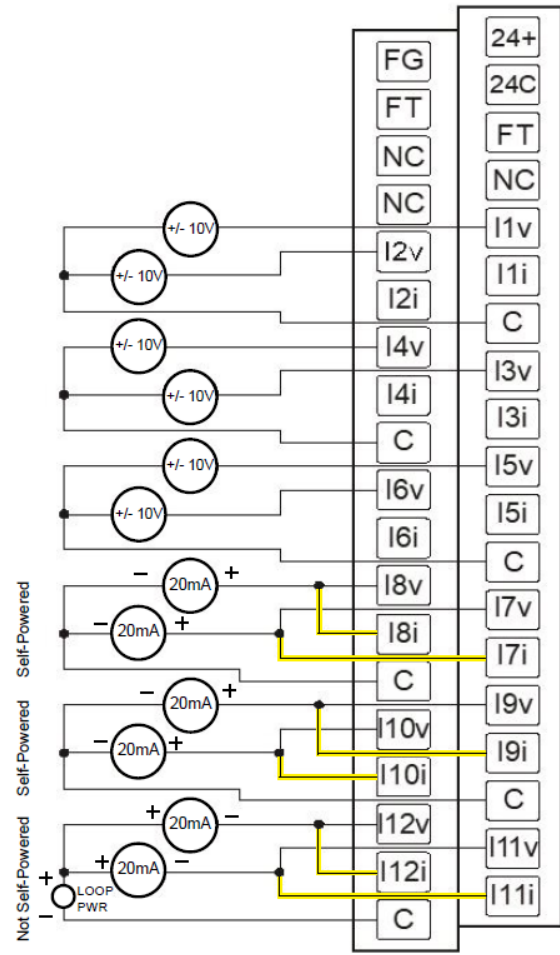
ANALOG IN				
Number of input points	12	Additional error for temperatures other than 25°C	0.01% / °C	
Input Ranges	$\pm 5, \pm 10V$ DC $4-20, \pm 20mA$ DC	Isolation	1000V DC IEC61010-1 300V RMS	
Resolution	14 bits	Isolation Method	Magnetic	
Accuracy, 25°C	0.1%	Maximum Continuous Overload	$\pm 10V$: 150VAC $\pm 20mA$: $\pm 30mA$, Clamped at $\pm 6V$	
Input Impedance	V: 1 Megohm mA: 150 Ohms			
Register Value for Nominal Full Scale	32000	Programmable Filter Time Constants	0.01 to 1.28 Seconds	
Conversion Time	10ms for all Channels	Filter Modes	Running Average or Adaptive	
GENERAL				
Required Power (Steady State)	1.8W (75mA @ 24VDC)	Pollution degree	2 or lower	
Required Power (Inrush)	8A @ 24VDC for 5ms	Operating Temperature	0° to 55° C	
Atmosphere	Free from corrosive gases and excessive dust	Storage Temperature	-25° to 70° C	
Cooling method	Self-cooling	Operating and Storage Humidity	5 to 95% Non-condensing	
Altitude for use	Up to 2,000m	Weight	8.0 oz. (227 g)	
Vibration				
Occasional Vibration				
Frequency	Acceleration	Amplitude	Sweep Count	
$10 \leq f < 57$ Hz	-	0.075 mm	10 times in each direction for X,Y,Z	
$57 \leq f \leq 150$ Hz	9.8 m/s ² {1G}	-		
Continuous Vibration				
Frequency	Acceleration	Amplitude	Sweep Count	
$10 \leq f < 57$ Hz	-	0.035 mm	10 times in each direction for X,Y,Z	
$57 \leq f \leq 150$ Hz	4.9 m/s ² {0.5G}	-		
Shocks				
Maximum shock acceleration	147 m/s ² {15G}			
Duration Time	11 ms.			
Pulse Wave	Half sine wave pulse (3 times in each of X, Y, Z directions)			
Noise Immunity				
Square wave impulse noise	AC: $\pm 1,500VDC$ DC: $\pm 900VDC$			
Electrostatic Discharge	Voltage: 4kV (contact discharge)			
Radiated electromagnetic field	27 – 500MHz, 10V/m			
Fast Transient Burst Noise	Severity level	All power modules	Digital I/Os (Ue $\geq 24V$)	Digital I/Os (Ue < 24 V) Analog I/Os Communication I/Os
	Voltage	2 kV	1 kV	0.25 kV

Refer SmartStix Analog Programming Guide (MAN0703) at www.heapg.com

2 DIMENSIONS



3 WIRING

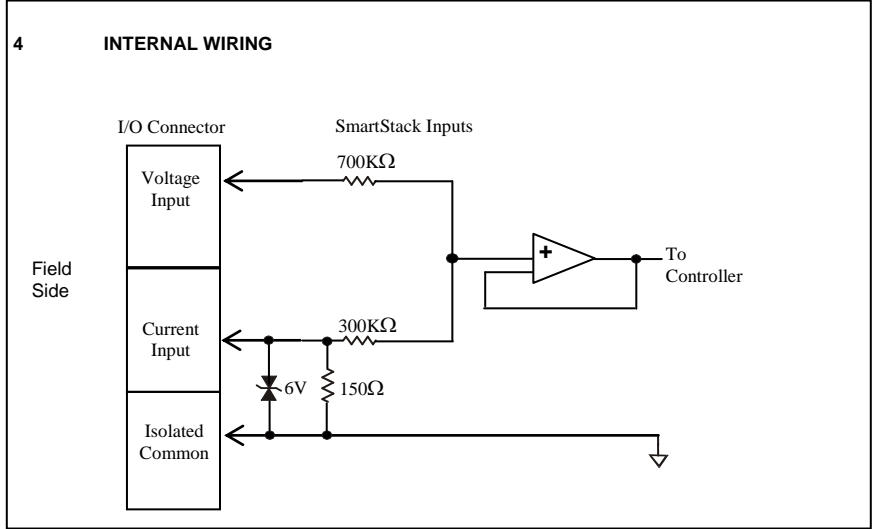


ADC970		ADC970	
2	FG	1	24+ *
4	FT	3	24C **
6	NC	5	FT
8	NC	7	NC
10	I2v	9	I1v
12	I2i	11	I1i
14	I4v	13	C
16	I4i	15	I3v
18	C	17	I3i
20	I6v	19	I5v
22	I6i	21	I5i
24	I8v	23	C
26	I8i	25	I7v
28	C	27	I7i
30	I10v	29	I9v
32	I10i	31	I9i
34	I12v	33	C
36	I12i	35	I11v
38	C	37	I11i

FT: Factory Test, Do Not Connect
 NC: No Contact
 FG: Frame Ground

C terminals are connected together internally but isolated from bus and power circuits.

* and ** For CsCAN and DeviceNet versions, module power is usually derived from the CAN connector. In that case, +24VDC and 24C are not connected.



5 INPUT MODE AND PROGRAMMABLE FILTER CONFIGURATION

The network supplies configuration information to the HE550ADC970 in the Consumed Directed Digital Data Words sent to the HE550ADC970. In the first word, the low 12 bits, 1 through 12, are channel mode bits. A low mode bit selects ±10V and a high mode bit selects ±20mA. The next three bits, 13 through 15, are input digital filter time constant codes and the high bit, 16, is an adaptive filter enable bit. In the second word, the low 12 bits are channel scale bits. A low scale bit selects ±10V or ±20mA for the corresponding channel. A high scale bit selects ±5V or 4-20mA. The upper four bits are unused.

Bit			Time Constant
15	14	13	
0	0	0	10 milliseconds (Nominal hardware scan rate)
0	0	1	15 milliseconds
0	1	0	35 milliseconds
0	1	1	75 milliseconds
1	0	0	155 milliseconds
1	0	1	315 milliseconds
1	1	0	635 milliseconds
1	1	1	1.275 seconds

Bit	Channel
1	AI1
2	AI2
3	AI3
4	AI4
5	AI5
6	AI6
7	AI7
8	AI8
9	AI9
10	AI10
11	AI11
12	AI12

Each analog input on the HE550ADC970 has a single pole 345Hz (461uS) cutoff high frequency noise filter. In addition a second digital filter may be specified in the first configuration word with the following time constants.

This digital filter is useful for applications with significant amounts of random noise. The slower time constants, while yielding better noise suppression, take a longer time to settle after step changes and are also sensitive to impulse noise which is treated like Gaussian noise and averaged. Bit 16 of the first configuration word may be set to specify an adaptive filter algorithm that:

1. Responds much more quickly to large step changes at slower time constants with full filtering of low level noise.
2. Suppresses impulse noise at the expense of slightly slower response at the shortest time constant settings. (Approximately 10 additional milliseconds).

Note that actual system response time is network dependent.

See the SmartStix Programming Guide for more information.

6 INPUT CONVERSION FACTOR

The following table describes how real-world inputs are scaled into the controller. Given a known input voltage or current, the register data value may be calculated by using the conversion factor from the table. The following formula is used: **Data = Voltage or Current In/Conversion Factor**.

Example: The user selects a voltage range of ±5 V:

1. The known input voltage is 3 VDC.
2. Using the table, the conversion factor for the voltage range of ±5 V is .00015625.
3. To determine the data value, the formula is used: Data = Vin / Conversion Factor
19200 = 3 VDC / 0.00015625

Conversion of Real-World Inputs into Register Values			
Selected Range	Input mA or Volts	Data Out	Conversion Factor
±5.00 V	> +5.11	32767	0.00015625
	+5.00	32000	
	0.00	0	
	-5.00	-32000	
	< -5.11	-32768	
±10.00 V	> +10.23	32767	0.0003125
	+10.00	32000	
	0.00	0	
	-10.00	-32000	
	< -10.23	-32768	
4.20 mA	< +20.37	32767	0.0005
	+20.00	32000	
	+4.00	0	
	-12.00	-32000	
	> -12.38	-32768	
±20.00 mA	> +20.47	32767	0.0006250
	+20.00	32000	
	0	0	
	-20.00	-32000	
	< -20.47	-32768	

Note: For the 4 to 20mA range, the offset, 4mA, must first be subtracted from the physical input value before dividing by the scale factor to yield the expected %AQG value for the given input.

7 LEADS

a. Diagnostic LED Indicators			b. Status LED Indicators
Diagnostic LED	State	Meaning	
MS (indicates fault status of the Module)	Solid Red	RAM or ROM test failed	The Power Status LED illuminates Red when power is applied to the module. There are I/O Status LED indicators for each of the Digital I/O points, which illuminate Red when an I/O point is ON.
	Blinking Red	I/O test failed	
	Blinking Green	Module is in power-up state	
	Solid Green	Module is running normally	
NS (indicates fault status of the Network)	Solid Red	Network Ack or Dup ID test failed	
	Blinking Red	Network ID test failed	
	Blinking Green	Module is in Life Expectancy default state	
	Solid Green	Network is running normally	

8 NETWORK CABLE

For detailed wiring information, refer to Chapter Two in the **Control Station Hardware Manual (MAN0227)**. A handy checklist is provided that covers panel box layout requirements and minimum clearances.

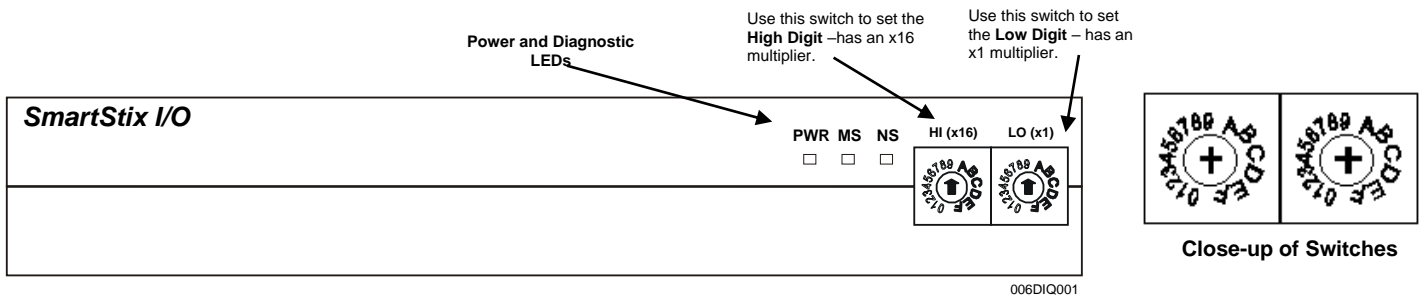
Color	Pin	Description
RED	1	V+
WHT	2	CAN_H
NC	3	No Contact
BLU	4	CAN_L
BLK	5	V-

Recommended Cable	
Thick: (Max Distance = 500m)	Belden 3082A
Thin: (Max Distance = 100m)	Belden 3084A

9 SETTING ID SWITCHES

CsCAN Network IDs are set using the hexadecimal number system from 01 to FD. The decimal equivalent is 1-253. Refer to following Conversion Table, which shows the decimal equivalent of hexadecimal numbers. Set a unique Network ID by inserting a small Phillips screwdriver into the two *identical* switches.

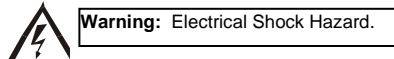
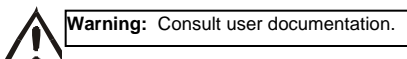
Note: The CsCAN Baud Rate for SmartStix I/O is fixed at 125KBaud.



Decimal (Dec) to Hexadecimal (Hex) Conversion														
Dec	Hex		Dec	Hex		Dec	Hex		Dec	Hex		Dec	Hex	
	HI	LO		HI	LO		HI	LO		HI	LO		HI	LO
			54	3	6	108	6	C	162	A	2	216	D	8
1	0	1	55	3	7	109	6	D	163	A	3	217	D	9
2	0	2	56	3	8	110	6	E	164	A	4	218	D	A
3	0	3	57	3	9	111	6	F	165	A	5	219	D	B
4	0	4	58	3	A	112	7	0	166	A	6	220	D	C
5	0	5	59	3	B	113	7	1	167	A	7	221	D	D
6	0	6	60	3	C	114	7	2	168	A	8	222	D	E
7	0	7	61	3	D	115	7	3	169	A	9	223	D	F
8	0	8	62	3	E	116	7	4	170	A	A	224	E	0
9	0	9	63	3	F	117	7	5	171	A	B	225	E	1
10	0	A	64	4	0	118	7	6	172	A	C	226	E	2
11	0	B	65	4	1	119	7	7	173	A	D	227	E	3
12	0	C	66	4	2	120	7	8	174	A	E	228	E	4
13	0	D	67	4	3	121	7	9	175	A	F	229	E	5
14	0	E	68	4	4	122	7	A	176	B	0	230	E	6
15	0	F	69	4	5	123	7	B	177	B	1	231	E	7
16	1	0	70	4	6	124	7	C	178	B	2	232	E	8
17	1	1	71	4	7	125	7	D	179	B	3	233	E	9
18	1	2	72	4	8	126	7	E	180	B	4	234	E	A
19	1	3	73	4	9	127	7	F	181	B	5	235	E	B
20	1	4	74	4	A	128	8	0	182	B	6	236	E	C
21	1	5	75	4	B	129	8	1	183	B	7	237	E	D
22	1	6	76	4	C	130	8	2	184	B	8	238	E	E
23	1	7	77	4	D	131	8	3	185	B	9	239	E	F
24	1	8	78	4	E	132	8	4	186	B	A	240	F	0
25	1	9	79	4	F	133	8	5	187	B	B	241	F	1
26	1	A	80	5	0	134	8	6	188	B	C	242	F	2
27	1	B	81	5	1	135	8	7	189	B	D	243	F	3
28	1	C	82	5	2	136	8	8	190	B	E	244	F	4
29	1	D	83	5	3	137	8	9	191	B	F	245	F	5
30	1	E	84	5	4	138	8	A	192	C	0	246	F	6
31	1	F	85	5	5	139	8	B	193	C	1	247	F	7
32	2	0	86	5	6	140	8	C	194	C	2	248	F	8
33	2	1	87	5	7	141	8	D	195	C	3	249	F	9
34	2	2	88	5	8	142	8	E	196	C	4	250	F	A
35	2	3	89	5	9	143	8	F	197	C	5	251	F	B
36	2	4	90	5	A	144	9	0	198	C	6	252	F	C
37	2	5	91	5	B	145	9	1	199	C	7	253	F	D
38	2	6	92	5	C	146	9	2	200	C	8			
39	2	7	93	5	D	147	9	3	201	C	9			
40	2	8	94	5	E	148	9	4	202	C	A			
41	2	9	95	5	F	149	9	5	203	C	B			
42	2	A	96	6	0	150	9	6	204	C	C			
43	2	B	97	6	1	151	9	7	205	C	D			
44	2	C	98	6	2	152	9	8	206	C	E			
45	2	D	99	6	3	153	9	9	207	C	F			
46	2	E	100	6	4	154	9	A	208	D	0			
47	2	F	101	6	5	155	9	B	209	D	1			
48	3	0	102	6	6	156	9	C	210	D	2			
49	3	1	103	6	7	157	9	D	211	D	3			
50	3	2	104	6	8	158	9	E	212	D	4			
51	3	3	105	6	9	159	9	F	213	D	5			
52	3	4	106	6	A	160	A	0	214	D	6			
53	3	5	107	6	B	161	A	1	215	D	7			

10 INSTALLATION / SAFETY

- a. All applicable codes and standards need to be followed in the installation of this product.
- b. For I/O wiring (discrete), use the following wire type or equivalent: Belden 8441 or equivalent.
- c. For detailed installation information, refer to Chapter Two in the Control Station Hardware Manual (MAN0227). A handy checklist is provided that covers panel box layout requirements and minimum clearances.



11 TECHNICAL ASSISTANCE

For assistance and manual updates, contact Technical Support at the following locations:

North America:
 Tel: 317 916-4274
 Fax: 317 639-4279
 Web: <http://www.hornerautomation.com>
 Email: techsppt@heapg.com

Europe:
 Tel: +353-21-4321266
 Fax: +353-21-4321826
 Web: <http://www.hornerautomation.eu>
 Email: tech.support@horner-apg.com

Cscape, SmartStix and CsCAN are trademarks of Horner APG. This information is subject to change without notice.