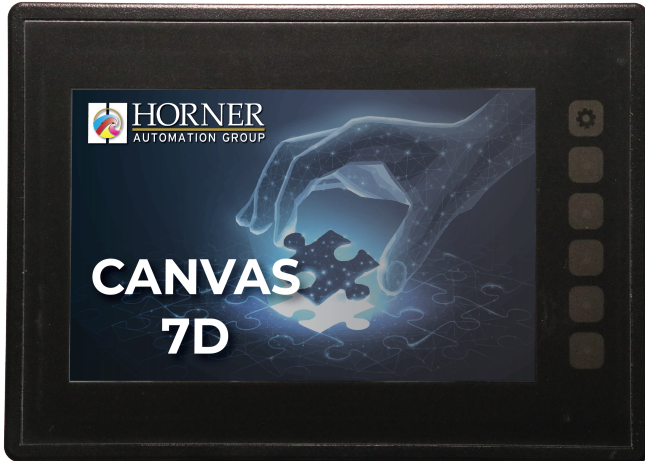


Canvas 7D Datasheet - Model 4

24 DC In, 16 DC Out, 2 – 12-bit Analog In

MAN1388_00_CV7D_Mod4



Part Number: HE-CV-070D-04

User Manual and Add-Ons

Find the documents via the [Documentation Search](#).

Part #	Description
MAN1383	Canvas 7D User Manual
MAN1142	Rechargeable Battery Manual
HE-BAT019	Rechargeable 3.6V Lithium Battery
HE-XCK	Programming Cables
HE-XDAC	2 channel Analog Output I/O option kit, selectable 0-10V, +/-10V, 4-20mA.
HE-XDAC107	4 channel Analog Output I/O option kit, selectable 0-10V, +/-10V, 4-20mA.
HE-XKIT	Blank I/O Board
HE200MJ2TRM	Adapter, RJ45 (8P8C) male to 8-position terminal strip.
HE-FBD001	Ferrite core for filtering out electrical noise.

Battery Maintenance

The Canvas 7D OCS uses a Renata CR2032 lithium battery to run the Real Time Clock. The battery life is 7-10 years.

For more information, see **MAN1383**.

Table of Contents

Part Number: HE-CV-070D-04	1
User Manual and Add-Ons	1
Battery Maintenance	1
TECHNICAL SPECIFICATIONS	2
General Specifications	2
Backlight	2
Control and Logic	3
User Interface	3
Connectivity	4
CONTROLLER OVERVIEW	5
Overview of OCS	5
LAN2 Ethernet Port	5
Power Wiring	5
MODEL 4 SPECIFICATIONS	7
Digital DC Input	7
Digital DC Outputs	8
Analog Inputs	9
WIRING: INPUTS AND OUTPUTS	10
Analog Inputs Information	10
Digital Inputs Information	10
Positive Logic vs. Negative Logic	10
Screw Torque for Reattaching Back Cover After I/O Jumper Update	11
J1 (Orange) Wiring - Digital In/Analog In	12
J2 (Black) Wiring - Digital Out	13
J3 (Orange) Wiring - Digital In/Positive Logic	14
J4 (Orange) Wiring - Digital Out/Positive Logic	14
Wiring Details	14
Built-In I/O	14
Analog Input Transient-Voltage-Suppression Diode Failure	15
COMMUNICATIONS	16
Serial Communication	16
Ethernet	16
DIP Switches	16
CAN Communications	17
DIMENSIONS & INSTALLATION	18
Canvas 7D	18
Installation Information	18
Installation Procedure	19
SAFETY & MAINTENANCE	20
Warnings	20
FCC Compliance	20
Precautions	20

TECHNICAL SPECIFICATIONS

General Specifications

Required Power (Inrush)	25A for < 1ms @ 24VDC
Heater Option*	Add 250mA with heater* (24VDC)
Primary Power Range	10 - 30VDC; 10- 24VDC (with heater*)
Maximum Current	1100mA, Class 2
Relative Humidity	5 to 95%, Non-Condensing
Clock Accuracy	± 20 ppm maximum at 25°C ,(± 1 min/month)
Real Time Clock	Battery Backed, Lithium Coin
Operating Temperature	-10°C to +60°C -40°C to +60°C (with heater*)
Storage Temperature	-20°C to +60°C
Weight	1.59 lbs (721.2g)
Altitude	Up to 2000m
Pollution Degree	Degree 2 Rating
Certification (UL/CE)	North America or Europe
Enclosure Type	1, 3R, 4, 4X, 12, 12K & 13

*Heater Option (Model # plus "-22")

Backlight

HE-CV-070D-00 (Model 0)	Typical Power Backlight at 100%	385mA@10V(3.85W);176mA@24VDC(4.224W)
	Power Backlight at 50%	119mA@24VDC(2.86W)
	Power Backlight Off	116mA@24VDC(2.78W)
HE-CV-070D-02 (Model 2)	Typical Power Backlight at 100%	516mA@10VDC(5.16W); 233mA@24VDC(5.592W)
	Power Backlight at 50%	176mA@24VDC(4.22W)
	Power Backlight Off	173mA@24VDC(4.15W)
HE-CV-070D-03 (Model 3)	Typical Power Backlight at 100%	413mA@10VDC(4.13W); 228mA@24VDC(5.472W)
	Power Backlight at 50%	171mA@24VDC(4.10W)
	Power Backlight Off	168mA@24VDC(4.03W)
HE-CV-070D-04 (Model 4)	Typical Power Backlight at 100%	422mA@10VDC(4.22W); 244mA@24VDC(5.856W)
	Power Backlight at 50%	187mA@24VDC(4.49W)
	Power Backlight Off	184mA@24VDC(4.42W)
HE-CV-070D-05 (Model 5)	Typical Power Backlight at 100%	588mA@10VDC(5.88W); 294mA@24VDC(7.056W)
	Power Backlight at 50%	237mA@24VDC(5.69W)
	Power Backlight Off	234mA@24VDC(5.62W)
HE-CV-070D-06 (Model 6)	Typical Power Backlight at 100%	572mA@10VDC(5.72W); 262mA@24VDC(6.288W)
	Power Backlight at 50%	205mA@24VDC(4.92W)
	Power Backlight Off	202mA@24VDC(4.85W)

Control and Logic

Control Language Support	Register-Based Advanced Ladder Logic; Variable-Based Advanced Ladder IEC 61131-3 Languages
Logic Program Size	2MB, maximum
Scan Rate	0.02ms/kB
Digital Inputs	2048
Digital Outputs	2048
Analog Inputs	512
Analog Outputs	512
General Purpose Registers	50,000 (words) Retentive 16,384 (bits) Retentive 16,384 (bits) Non-retentive

USB Webcams

USB Webcams supported should support the UVC (USB Video class) protocol for the OCS to be able to display video. Most USB based video devices support this today. Special feature such as zoom and high definition are not supported by the OCS.

User Interface

Display Type	7" TFT Color
Screen Brightness	800cd/m ² (nits)
Resolution	QVGA (800 x 480)
Color	16-bit (65,535)
Screen Memory	17MB
User-Programmable Screens	1023 maximum pages; 1023 objects per page
Backlight	LED - 50,000 hour life
Brightness Control	0-100% via System Register %SR57
Number of Keys	6

Connectivity

Serial Ports	1 RS-232 & 1 RS-485 on first Modular Jack (MJ1/2); 1 RS-232 or 1 RS-485 on second Modular Jack (MJ3)
USB mini-B	USB 2.0 (480Mbps) Programming & Data Access
USB A (500mA max)	USB 2.0 (480 Mbps) for USB flash drives (2TB)
CAN Port Isolated 1kV	2 x Remote I/O, Peer-to-peer Comms, Cscape
CAN Protocols	CsCAN, CANopen, DeviceNet, J1939
Ethernet	2 x 10/100 Mb (Auto-MDX)
Ethernet Protocols	TCP/IP, Modbus TCP, FTP, SMTP, EGD, ICMP, ASCII, Cscape, Ethernet IP
Remote I/O	OCS-I/O
Removable Memory	microSD, SDHC, SDXC (in FAT32 format), support for 32GB maximum. Application Updates, Datalogging
Audio	Line Out

UV and Sunlight Protection

Protection of this product from direct sunlight is recommended but not required. The overlay is made of Lexan HP92W which is designed to be UV resistant. Protection will further extend the life of the overlay and touchscreen

CONTROLLER OVERVIEW

Overview of OCS



HG-746

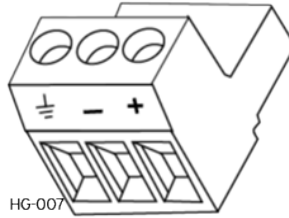
1. Touchscreen
2. Function Keys
3. MJ1: RS-232 / MJ2: 1/2 Duplex RS-485
4. DIP Switches
5. MJ3: RS-232/RS-485 Serial Port
6. CAN1 Port
7. Primary Power: 10-30VDC In
8. Audio In and Out Port
9. USB Type A 2.0: Flash Drive (See Precaution #12 about USB and grounding)
10. LAN 1&2 Ports
11. CAN2 Port
12. USB Type Mini B: Programming
13. microSD: Data Storage

LAN2 Ethernet Port

HE-ETX2 is used in place of LAN2 in order to utilize 2nd ethernet port functionality at this time due to components shortage issues. If multi-USB device functionality is needed, such as for USB flash drive or webcam utilization, a power USB hub may be used. The RTS5411 chipset was found to be functional in our testing.

Power Wiring

NOTE: The Primary Power Range is 10VDC to 30VDC.



Primary Power Port Pins		
PIN	Signal	Description
1	Ground	Frame Ground
2	DC-	Input Power Supply Ground
3	DC+	Input Power Supply Voltage

DC Input / Frame

- Solid/Stranded Wire: 12-24 AWG(2.5-0.2 mm²)
- Strip length: 0.28" (7mm)
- Torque, Terminal Hold-Down Screws: 4.5 – 7 in•lbs (0.50 – 0.78 N•m)
- DC- is internally connected to I/O V-, but is isolated from CAN V-. A Class 2 power supply must be used.

Power Up

1. **OPTION:** Attach ferrite core with a minimum of two turns of the DC+ and DC- signals from the DC supply that is powering the controllers.



2. Connect to earth ground.
3. Apply recommended power.

MODEL 4 SPECIFICATIONS

Digital DC Input

Inputs per Module	24 Including 4 Configurable HSC Inputs	
Commons per Module	1	
Input Voltage Range	12VDC/24VDC	
Absolute Maximum Voltage	30VDC Max.	
Input Impedance	10k Ω	
Input Current	Positive Logic	Negative Logic
Upper Threshold	0.8mA	-1.6mA
Lower Threshold	0.3mA	-2.1mA
Maximum Upper Threshold	8VDC	
Minimum Lower Threshold	3VDC	
OFF to ON Response	1ms	
ON to OFF Response	1ms	
High Speed Counter Maximum Frequency	1MHz (Quadrature Frequency 500kHz)	

Digital DC Outputs

Outputs per Module	16 Including 2 Configurable PWM Outputs
Commons per Module	1
Output Type	Sourcing/10k Ω Pull- Down
Output Frequency	10kHz (up to 500kHz when using the HE-XHSQ add-on module)
Absolute Maximum Voltage	28VDC
Output Protection	Short Circuit
Maximum Output Current/Point	0.5A
Maximum Total Current	4A Continuous
Maximum Output Supply Voltage	30VDC
Minimum Output Supply Voltage	10VDC
Maximum Voltage Drop at Rated Current	0.25VDC
Maximum Inrush Current	650mA per Channel
Minimum Load	None
OFF to ON Response	1ms
ON to OFF Response	1ms
Output Characteristics	Current Sourcing (Positive Logic)
Rise Time	50 - 115 μ s
Fall Time	8-20 μ s

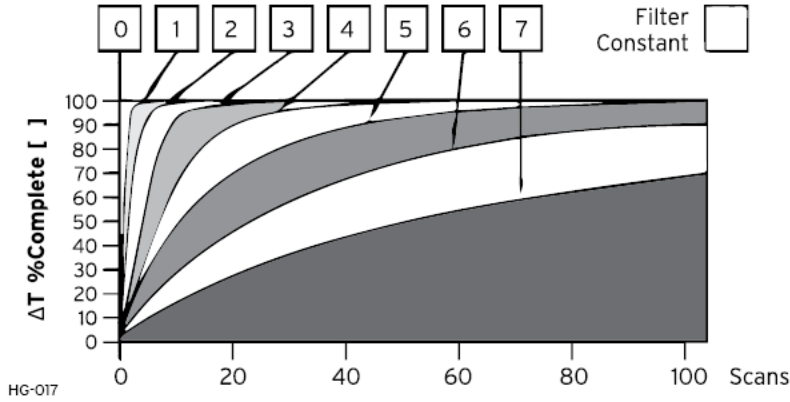
Analog Inputs

Number of Channels	2
Input Ranges	0 – 10VDC; 0 – 20mA; 4 – 20mA
Safe Input Range	-0.5V to +12V
Input Impedance (Clamped @ -0.5VDC to 12VDC)	Current Mode: 100Ω Voltage Mode: 500kΩ
Nominal Resolution	12 Bits
%AI full scale	10V, 20mA: 32,000 counts full scale
Maximum Over-Current	35mA
Conversion Speed	All channels converted once per ladder scan
Maximum Error @ 25°C (excluding zero)	4-20mA 1.00% 0-20mA 1.00% 0-10VDC 0.50%
Filtering	160Hz hash (noise) filter 1-128 scan digital running average filter

WIRING: INPUTS AND OUTPUTS

Analog Inputs Information

Raw input values for channels 1-4 are found in the registers as Integer-type data with a range from 0 – 32000. Analog inputs may be filtered digitally with the Filter Constant found in the Cscape Hardware Configuration for Analog Inputs. Valid filter values are 0-7 and act according to the following chart:

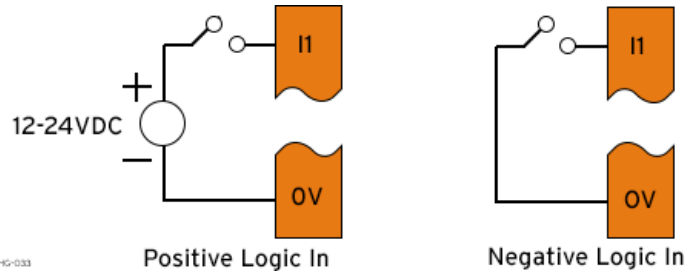


Data Values	
Input Mode:	Data Format, 12-bit INT:
0-20mA, 4-20mA	0-32000
0-10V	0-32000

Digital Inputs Information

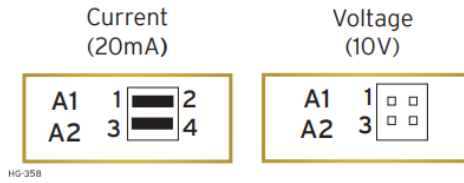
Positive Logic vs. Negative Logic

The OCS can be wired for positive logic inputs or negative



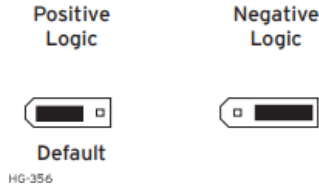
Digital inputs may be wired in either a Positive Logic or Negative Logic fashion as shown. The setting in the Cscape Hardware Configuration for the Digital Inputs must match the wiring used in order for the correct input states to be registered. When used as a normal input and not for high speed functions, the state of the input is reflected in registers %I1 – %I12.

Jumper Settings for Model 4

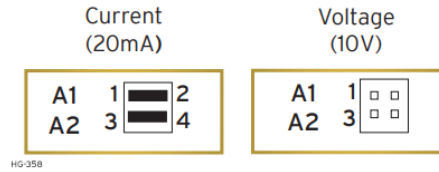


Location of I/O jumpers (JP1 & JP3) and wiring connectors (J1, J2, J3 & J4) with back cover removed.

JP1 Digital DC Inputs



JP3 Analog In



NOTE: The Cscape Module Configuration must match the selected I/O (JP) jumper settings.

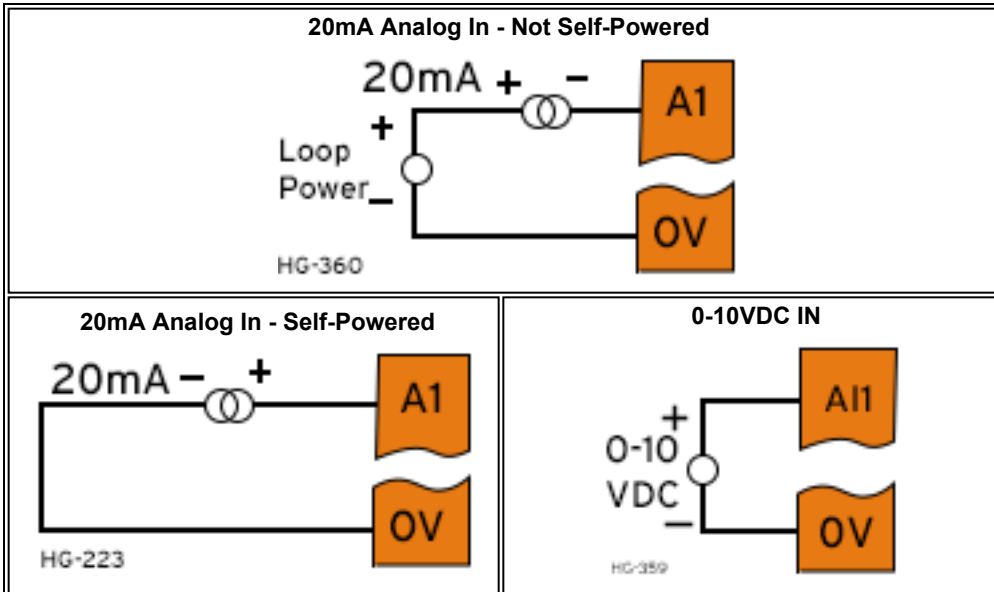
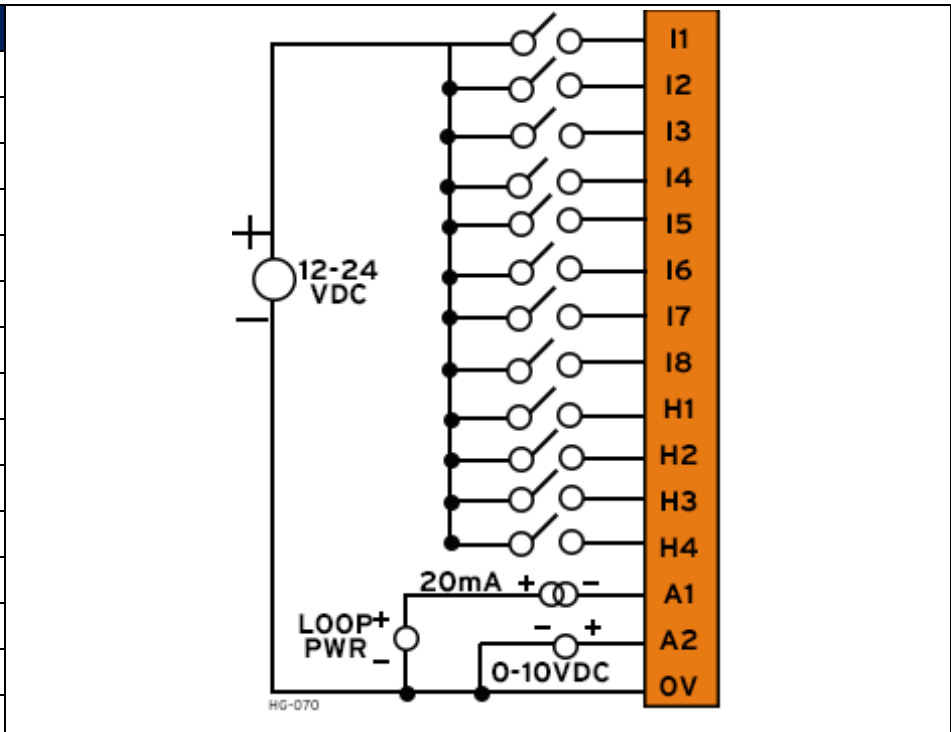
NOTE: When using JP3 (A1-A2), each channel can be independently configured.

Screw Torque for Reattaching Back Cover After I/O Jumper Update

XLE/XLT, XL4/XL4 Prime, EXL6/XL6 Prime, Canvas 4	3.0 - 4.0 in•lbs (0.34 - 0.45 N•m)
EXLW/ XLW Prime, XL7/XL7 Prime, EXL10/XL10 Prime, Canvas 7, Canvas 7D, Canvas 10D	3.0 - 3.5 in•lbs (0.34 - 0.40 N•m)

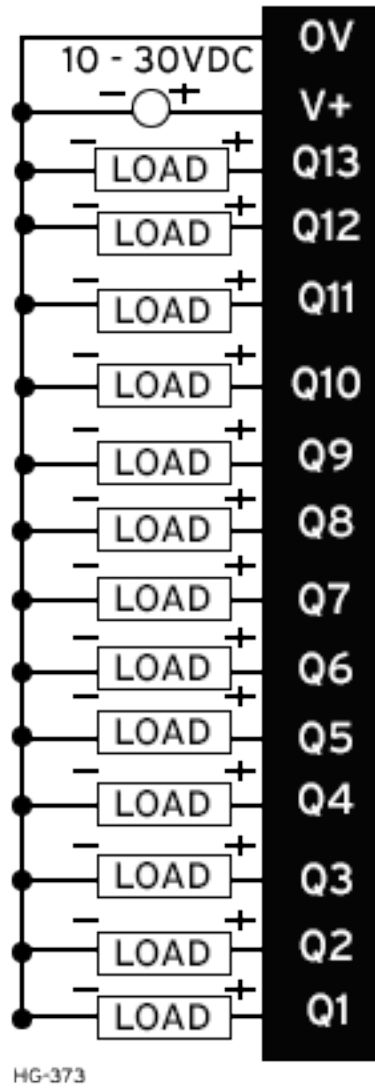
J1 (Orange) Wiring - Digital In/Analog In

Pin	Signal Name
I1 (%I1)	Digital In 1
I2 (%I2)	Digital In 2
I3 (%I3)	Digital In 3
I4 (%I4)	Digital In 4
I5 (%I5)	Digital In 5
I6 (%I6)	Digital In 6
I7 (%I7)	Digital In 7
I8 (%I8)	Digital In 8
H1 (%I9)	HSC1/Digital In. 9
H2 (%I10)	HSC1/Digital In. 10
H3 (%I11)	HSC1/Digital In. 11
H4 (%I12)	HSC1/Digital In. 12
A1 (%AI1)	Analog In 1
A2 (%AI2)	Analog In 2
OV	Common

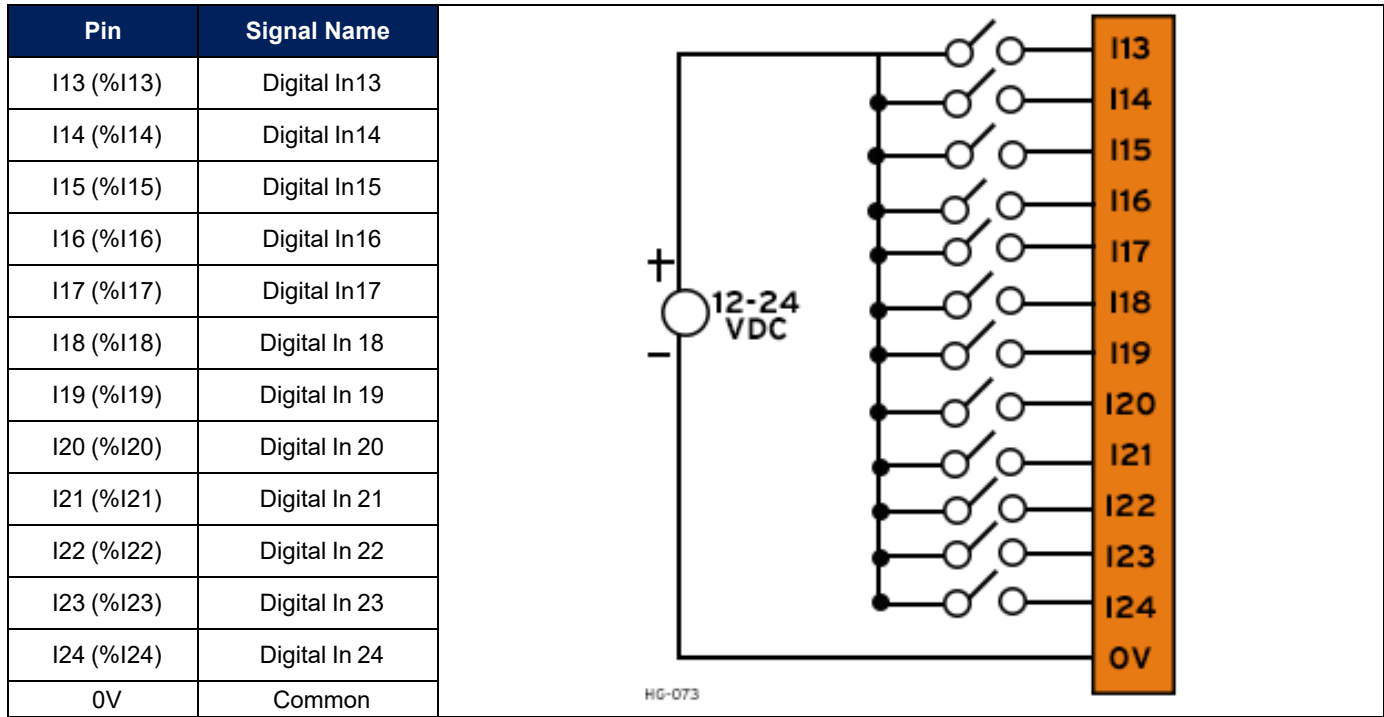


J2 (Black) Wiring - Digital Out

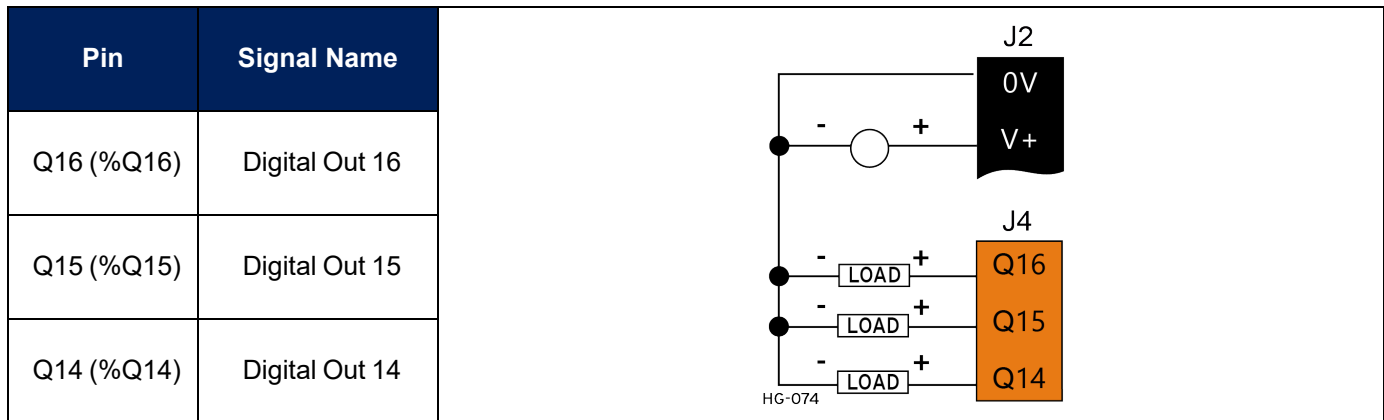
Pin	Signal Name
0V	Common
V+	V+
Q13 (%Q13)	Digital Out 13
Q12 (%Q12)	Digital Out 12
Q11 (%Q11)	Digital Out 11
Q10 (%Q10)	Digital Out 10
Q9 (%Q9)	Digital Out 9
Q8 (%Q8)	Digital Out 8
Q7 (%Q7)	Digital Out 7
Q6 (%Q6)	Digital Out 6
Q5 (%Q5)	Digital Out 5
Q4 (%Q4)	Digital Out 4
Q3 (%Q3)	Digital Out 3
Q2 (%Q2)	Digital Out/PWM2
Q1 (%Q1)	Digital Out/PWM1



J3 (Orange) Wiring - Digital In/Positive Logic



J4 (Orange) Wiring - Digital Out/Positive Logic



NOTE: J2 must also be connected. Strip Length: 0.28" (7mm).

Wiring Details

Solid/Stranded Wire: 12-24 AWG (2.5-0.2mm²).

Strip Length: 0.28" (7mm).

Torque, Terminal Hold-Down Screws: 4.5 – 7 in•lbs (0.50 – 0.78 N•m).

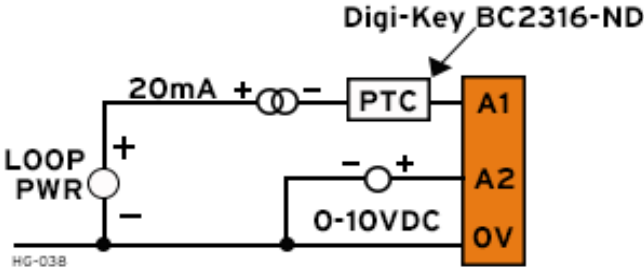
Built-In I/O

The I/O is mapped into OCS Register space, in three separate areas: Digital/Analog I/O, High-Speed Counter I/O, and High-speed Output I/O. Digital/Analog I/O location is fixed starting at 1, but the high-speed counter and high-speed output references may be mapped to any open register location .

Digital and Analog I/O Functions	
Digital Inputs	%I1-24
Reserved	%I25-31
ESCP Alarm	%I32
Digital Outputs	%Q1-16
Reserved	%Q17-24
Analog Inputs	%AI1-2
Reserved	%AI3-12
Analog Outputs	n/a
Reserved	%AQ1-8

Analog Input Transient-Voltage-Suppression Diode Failure

A common cause of Analog Input Transient-Voltage-Suppression Diode Failure on Analog Inputs Model 2, 3, 4 & 5: If a 4- 20mA circuit is initially wired with loop power, but without a load, the analog input could see 24VDC. This is higher than the rating of the Transient-Voltage-Suppression Diode. This can be solved by NOT connecting loop power prior to load connection, or by installing a low-cost PTC in series between the load and analog input.



COMMUNICATIONS

Serial Communication

MJ1/2 Serial Ports

<p>HG-008</p>	<p>MJ1: RS-232 w/Full Handshaking MJ2: RS-485 Half-Duplex</p>	MJ1 Pins			MJ2 Pins	
		PIN	SIGNAL	DIRECTION	SIGNAL	DIRECTION
		8	TXD	OUT	--	--
		7	RXD	IN	--	--
		6	0V	COMMON	0V	COMMON
		5	+5V @ 60mA	OUT	+5V @ 60mA	OUT
		4	RTS	OUT	--	--
		3	CTS	IN	--	--
		2	--	--	RX-/TX-	IN/OUT
		1	--	--	RX+/TX+	IN/OUT

MJ3 Serial Port

<p>HG-008</p>	<p>2 Multiplexed Serial Ports on One Modular Jack (8 position)</p>	MJ3 PINS		
		PIN	SIGNAL	DIRECTION
		8	TXD RS-232	OUT
		7	RXD RS-232	IN
		6	0V	COMMON
		5	+5V @ 60mA	OUT
		4	TX- RS-485	OUT
		3	TX+ RS-485	OUT
		2	RX- RS-485	IN
		1	RX+ RS-485	IN

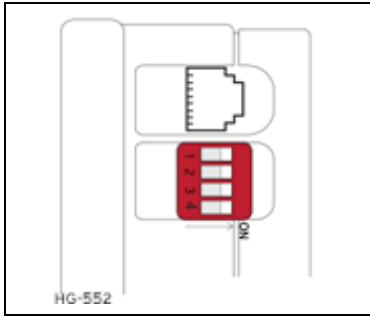
NOTE: Attach optional [ferrite core](#) with a minimum of two turns of serial cable.

Ethernet

	<p>Green LED indicates link - when illuminated, data communication is available. Yellow LED indicates activity - when flashing, data is in transmission.</p>
--	---

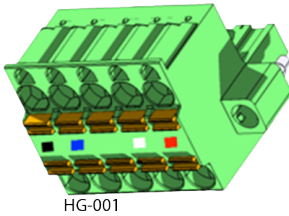
DIP Switches

<p>HG-552</p>	DIP Switches			
	SWITCH	NAME	FUNCTION	DEFAULT
	1	MJ3 RS-485 Termination	ON = Terminated	OFF

DIP Switches				
	2	MJ3 Duplex	Both ON = Half Both OFF = Full	OFF
	3		OFF	
	4	MJ2 RS-485 Termination	ON = Terminated	OFF

The DIP switches are used to provide a built-in termination to both the MJ1, MJ2 & MJ3 ports if needed. The termination for these ports should only be used if this device is located at either end of the multidrop/ daisy-chained RS-485 network.

CAN Communications

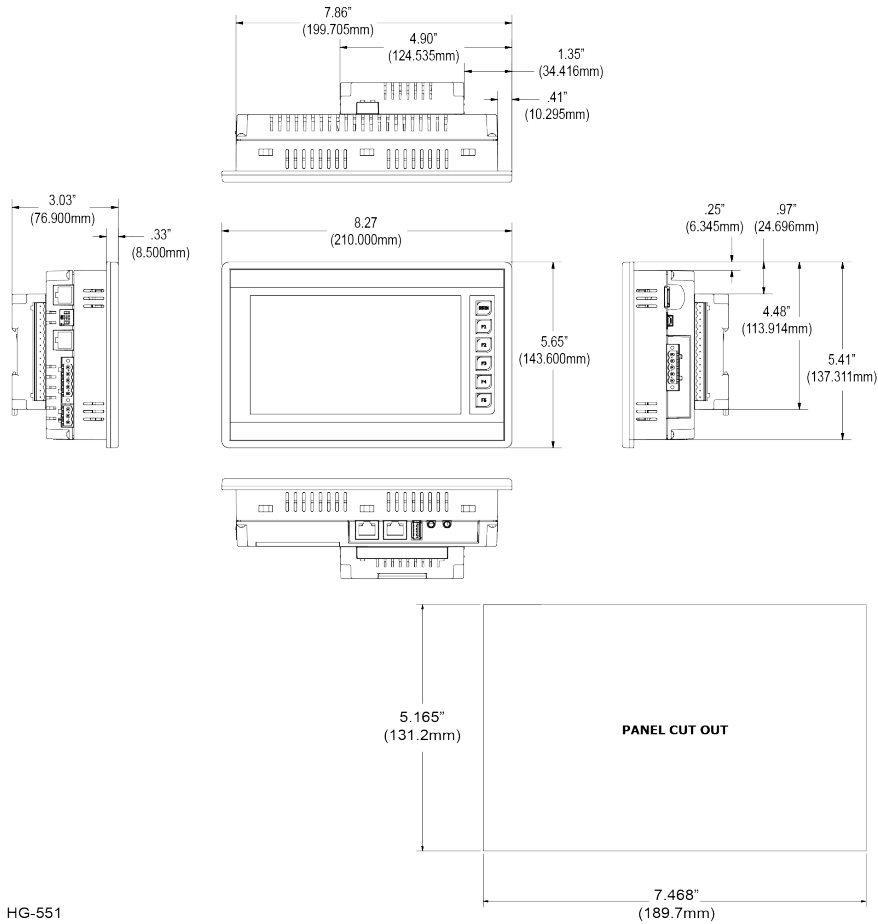


CAN Network & Power Port Pin Assignment		
Pin	Signal	Signal Description
1	V-	CAN Ground – Black
2	CN_L	CAN Data Low – Blue
3	SHLD	Shield Ground – None
4	CN_H	CAN Data High – White
5	V+ (NC)	No Connect – Red

- **Solid/Stranded Wire:** 12-24 AWG(2.5-0.2mm²).
- **Strip Length:** 0.28" (7mm).
- Locking spring-clamp, two-terminators per conductor.
- **Torque, Terminal Hold-Down Screws:** 4.5 – 7 in•lbs (0.50 – 0.78 N•m).
- V+ pin is not internally connected, the SHLD pin is connected to Earth ground via a 1MΩ resistor and 10 nF capacitor.

DIMENSIONS & INSTALLATION

Canvas 7D



HG-551

* +1.6 mm /-0 mm cutout tolerance

Installation Information

- The Canvas 7D utilizes a clip installation method to ensure a robust and watertight seal to the enclosure. Please follow the steps below for the proper installation and operation of the unit.
- This equipment is suitable for Class I, Division 2, Groups A, B, C and D or non-hazardous locations only.
- Digital outputs shall be supplied from the same source as the operator control station.
- Jumpers on connector JP1 shall not be removed or replaced while the circuit is live unless the area is known to be free of ignitable concentrations of flammable gases or vapors.
- **WARNING-** The USB ports are for operational maintenance only. Do not leave permanently connected unless area is known to be non-hazardous.

Installation Procedure

The Canvas 7D OCS utilizes a clip installation method to ensure a robust and watertight seal to the enclosure. Please follow the steps below for the installation and operation of the unit.

1. Carefully locate a place to mount the Canvas OCS. Be sure to leave enough room at the top of the unit for insertion and removal of the microSD™ card.
2. Carefully cut the host panel per the diagram, creating a 131.2mm x 189.7mm with a +1.6 mm /-0 mm panel cutout tolerance, opening into which the OCS may be installed. **Note:** If the opening is too large, water may leak into the enclosure, potentially damaging the unit. If the opening is too small, the OCS may not fit through the hole without damage.
3. Remove any burrs and or sharp edges and ensure the panel is not warped in the cutting process.
4. Remove all Removable Terminals from the OCS. Insert the OCS through the panel cutout (from the front). The gasket must be between the host panel and the OCS.
5. Install and tighten the four mounting clips (provided in the box) until the gasket forms a tight seal **NOTE:** Maximum torque is 0.8 to 1.13N•m or 7 to 10 in•lbs.
6. Reinstall the I/O Removable Terminal Blocks. Connect communications cables to the serial port, USB ports, Ethernet port, and CAN port as required.

SAFETY & MAINTENANCE

Warnings

1. To avoid the risk of electric shock or burns, always connect the safety (or earth) ground before making any other connections.
2. To reduce the risk of fire, electrical shock, or physical injury, it is strongly recommended to fuse the voltage measurement inputs. Be sure to locate fuses as close to the source as possible.
3. Replace fuse with the same type and rating to provide protection against risk of fire and shock hazards.
4. In the event of repeated failure, do **NOT** replace the fuse again as repeated failure indicates a defective condition that will **NOT** clear by replacing the fuse.
5. Only qualified electrical personnel familiar with the construction and operation of this equipment and the hazards involved should install, adjust, operate, or service this equipment.
6. Read and understand this manual and other applicable manuals in their entirety before proceeding. Failure to observe this precaution could result in severe bodily injury or loss of life.
7. **WARNING:** Battery may explode if mistreated. Do not recharge, disassemble, or dispose of in fire.
8. **WARNING:** EXPLOSION HAZARD- Batteries must only be changed in an area known to be non-hazardous.
9. **WARNING:** Do not disconnect while circuit is live unless area is know to be non-hazardous.

FCC Compliance

This device complies with Part 15 of the FCC Rules. Operation is subject to the following two conditions:

1. This device may not cause harmful interference.
2. This device must accept any interference received, including interference that may cause undesired operation.

Precautions

All applicable codes and standards need to be followed in the installation of this product. Adhere to the following safety precautions whenever any type of connection is made to the module:

1. Connect the safety (earth) ground on the power connector first before making any other connections.
2. When connecting to the electric circuits or pulse-initiating equipment, open their related breakers.
3. Do NOT make connection to live power lines.
4. Make connections to the module first; then connect to the circuit to be monitored.
5. Route power wires in a safe manner in accordance with good practice and local codes.
6. Wear proper personal protective equipment including safety glasses and insulated gloves when making connections to power circuits.
7. Ensure hands, shoes, and floor are dry before making any connection to a power line.
8. Make sure the unit is turned OFF before making connections to terminals.
9. Make sure all circuits are de-energized before making connections.
10. Before each use, inspect all cables for breaks or cracks in the insulation. Replace immediately if defective.
11. Use copper conductors in field wiring only, 60/75°C.



- 12. Use caution when connecting controllers to PCs via serial or USB. PCs, especially laptops, may use “floating power supplies” that are ungrounded. This could cause a damaging voltage potential between the laptop and controller. Ensure the controller and laptop are grounded for maximum protection. Consider using a USB isolator due to voltage potential differences as a preventative measure.

Technical Support

North America	Europe
1 (317) 916-4274 1 (877) 665-5666 www.hornerautomation.com APGUSATechSupport@heapg.com	+353 (21) 4321-266 www.hornerautomation.eu technical.support@horner-apg.com