

OCS-I/O - HE959DIM620

8 Digital Inputs

1 TECHNICAL SPECIFICATIONS

1.1 General Specifications

| | |
|-------------------------------|---|
| Required Power (Steady State) | 80mA @ 5V |
| Digital Inputs | 8 |
| Relative Humidity | 5-95% non-condensing |
| Port Connectors | Phoenix Contact 2201780 |
| Operating Air Temp | -40°C (-40°F) to 60°C (140°F) |
| Storage Temp | -40°C (-40°F) to 85°C (185°F) |
| Weight | 2.84 oz. |
| Dimensions | 76.5mm x 124.5mm x 19mm 3" x 4.9" x 0.75" |
| Certifications (UL/CE) | North America: https://hornerautomation.com/certifications/ Europe: https://www.hornerautomation.eu/support/certifications-2/ |

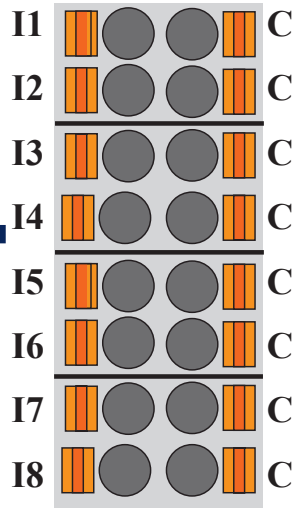
1.2 Digital Inputs

| | |
|----------------------|-------------------------|
| Inputs per Module | 8 |
| Commons per Module | 1 |
| Input Voltage Range | 90 - 120VAC |
| Absolute Max Voltage | 144VAC |
| Input Impedance | ~61.8k |
| OFF to ON Response | <20ms |
| ON to OFF Response | <20ms |
| Galvanic Isolation | No |
| I/O Indication | Status LED per Input |
| Connector Tye | Phoenix Contact 2201780 |



Cscape Configuration - See MAN1175 for the HE959CNX116.

2 WIRING

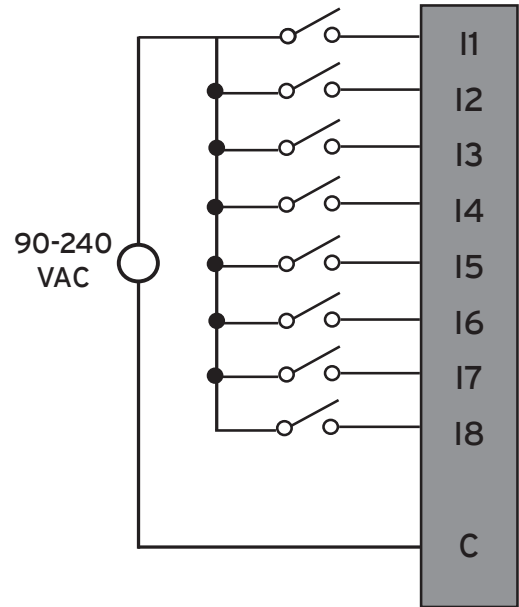


NOTE: Wiring used for main wiring should be 300V 105°C rating or higher.



All Inputs must be connected to the same voltage level, e.g. connect all to the same 120 VAC source.

| 8 DIGITAL INPUTS | | | |
|------------------|--------------------|--------|-------------|
| Signal | Description | Signal | Description |
| I1 | AC Digital Input 1 | C | AC Common |
| I2 | AC Digital Input 2 | C | AC Common |
| I3 | AC Digital Input 3 | C | AC Common |
| I4 | AC Digital Input 4 | C | AC Common |
| I5 | AC Digital Input 5 | C | AC Common |
| I6 | AC Digital Input 6 | C | AC Common |
| I7 | AC Digital Input 7 | C | AC Common |
| I8 | AC Digital Input 8 | C | AC Common |



3 DIAGNOSTIC LED INDICATORS

| Status | OK LED |
|-------------|---|
| OFF | Power Up |
| ON | IO Module Running Normally |
| BLINK (1Hz) | On of the following errors: a. Communication between IO Base and IO Module (IO ERROR) b. No Configuration c. OCS idle mode |

4 SAFETY

4.1 - WARNINGS



WARNING - If the equipment is used in a manner not specified by Horner APG, the protection provided by the equipment may be impaired.

WARNING - EXPLOSION HAZARD - Do not disconnect equipment unless power has been removed or the area is known to be non-hazardous

AVERTISSEMENT - RISQUE D'EXPLOSION -Ne débranchez pas l'équipement tant que l'alimentation n'a pas été coupée ou que la zone n'est pas dangereuse.

WARNING - EXPLOSION HAZARD - Substitution of any component may impair suitability for Class I, Division 2
AVERTISSEMENT - RISQUE D'EXPLOSION -Le remplacement de tout composant peut nuire à la compatibilité avec la classe I, division 2

WARNING - POSSIBLE EQUIPMENT DAMAGE - Remove power from the I/O Base and any peripheral equipment connected to this local system before adding or replacing this or any module.

AVERTISSEMENT - DOMMAGES POSSIBLES À L'ÉQUIPEMENT - Coupez l'alimentation de la base d'E / S et de tout équipement périphérique connecté à ce système local avant d'ajouter ou de remplacer ce module ou tout autre module.



4.2 - SAFETY

- a. All applicable codes and standards should be followed in the installation of this product.
- b. Shielded, twisted-pair wiring should be used for best performance.
- c. Shields should be grounded at one end only, preferably at the end providing the best noise shunting.
- d. Use the following wire type or equivalent: Belden 8441.

5 PART NUMBER

HE959DIM620

6 TECHNICAL SUPPORT

For assistance and manual updates, contact Technical Support at the following locations:

North America

(317) 916-4274
www.hornerautomation.com
techsppt@heapg.com

Europe

(+) 353-21-4321-266
www.hornerautomation.eu
technical.support@horner-apg.com