


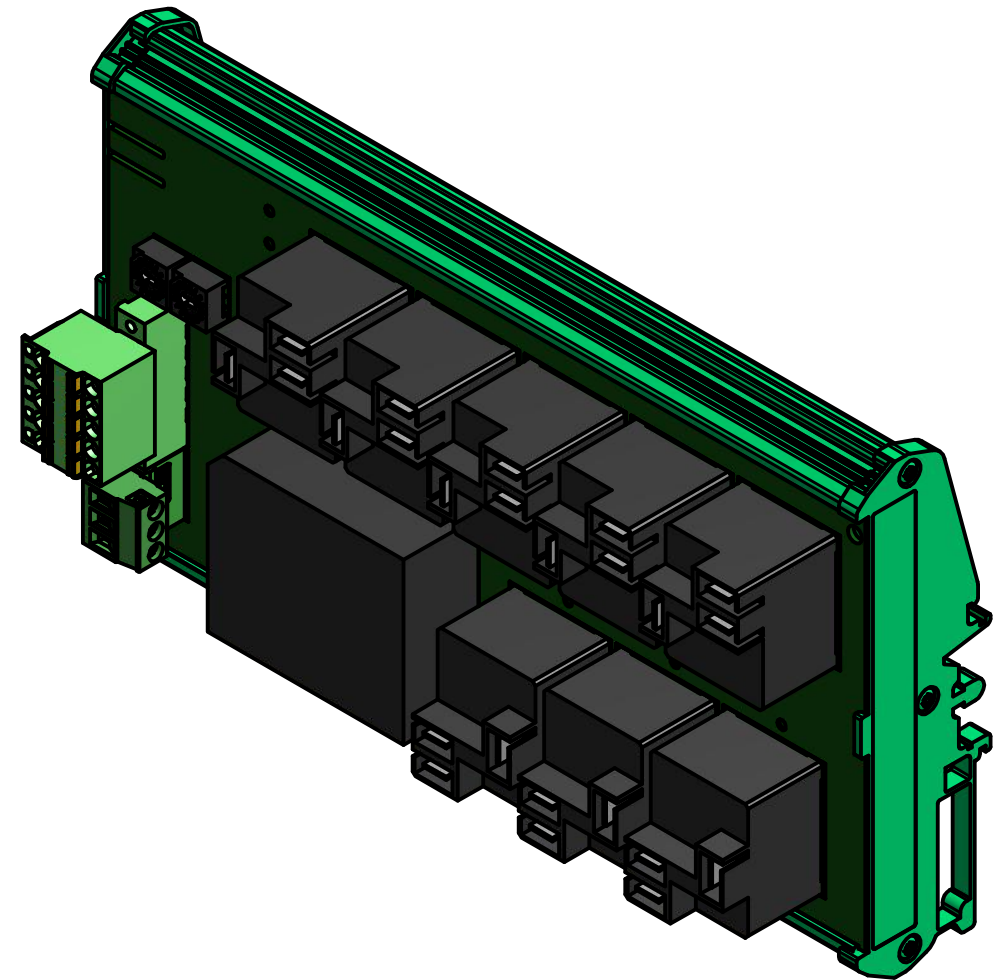
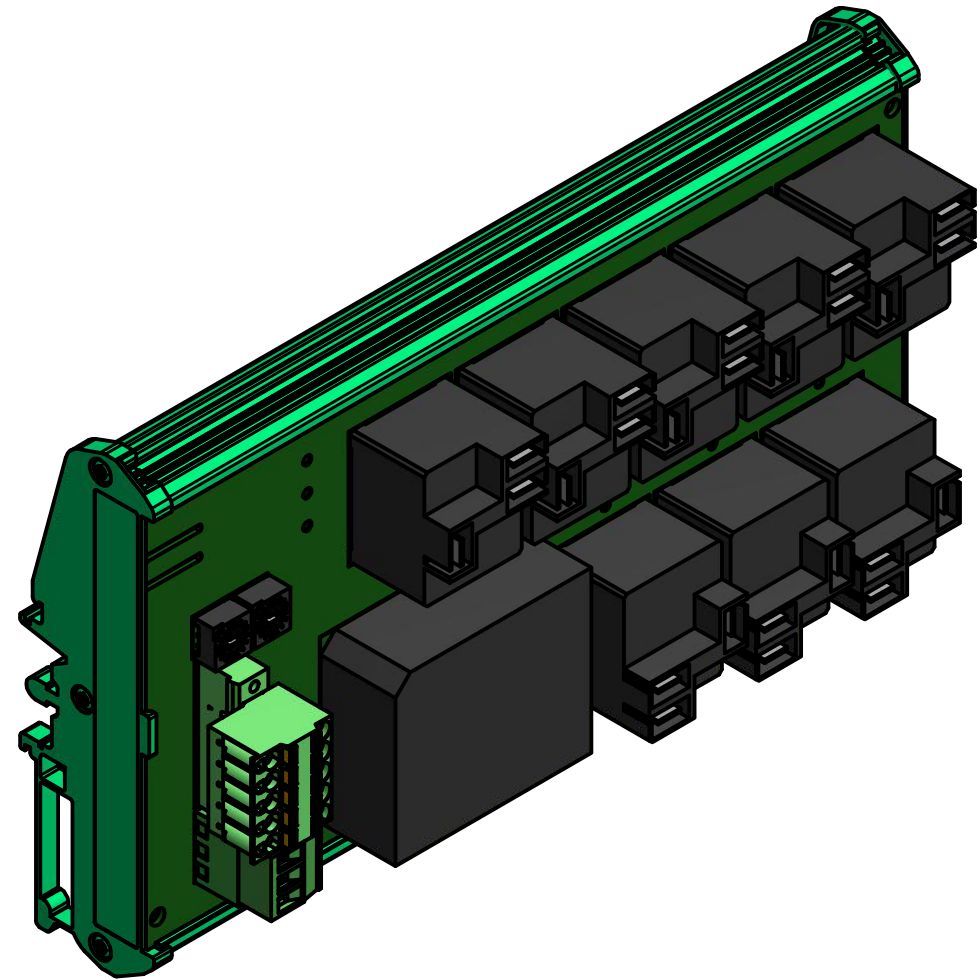
NOTES


1. THE DIMENSIONS OF THIS DRAWING ARE CONTROLLED BY THE INVENTOR MODEL IF AVAILABLE. THE MODEL TAKES PRECEDENCE OVER THIS DRAWING.
2. ALL DIMENSIONS ARE IN in [mm] UNLESS OTHERWISE NOTED.
3. TOLERANCES: STANDARD COMMERCIAL TOLERANCE UNLESS OTHERWISE SPECIFIED.
4. MATERIAL:
5. FINISH: NO NOTICEABLE DEFECTS AT 3FT (90° ANGLE UNDER NATURAL LIGHTING).

REVISION HISTORY

REV	DESCRIPTION	AUTHOR	DATE
0.0	INITIAL RELEASE	BR	04/10/2021

PRODUCTS USED ON		HE569DQM209	
DESIGNED BY:	BR	04/10/2021	 59 S. STATE AVE. Indianapolis, Indiana 46201 PH: (317) 916-4274 FX: (317) 916-4280
DRAWN BY:	BR	04/12/2021	
CHECKED BY:	JB	04/12/2021	
FILE NAME:		HE569DQM209.idw	
TITLE OF DRAWING: HE569DQM209			
SHEET:	1	SCALE:	SIZE:
OF	2	1:2	B
REVISION:	BA	DRAWING NUMBER:	
		HE569DQM209	



PRODUCTS USED ON		HE569DQM209		
DESIGNED BY:	BR	04/10/2021		 59 S. STATE AVE. Indianapolis, Indiana 46201 PH: (317) 916-4274 FX: (317) 916-4280
DRAWN BY:	BR	04/12/2021		
CHECKED BY:	JB	04/12/2021		
FILE NAME:		HE569DQM209.idw		
TITLE OF DRAWING: HE569DQM209 Iso				
SHEET:	2	SCALE:	SIZE:	REVISION:
OF	2	2:3	B	BA
		DRAWING NUMBER: HE569DQM209		